

# 2000 SKY







**Concept**

This is a truly New design with innovative and powerful construction, created for a range of modern sweeping applications. The Dulevo 2000 Sky is the perfect compact sweeper for all seasons. Incorporating the latest technology, using high-quality components to ensure it meets the operational demands of customers. It has been designed for cleaning roads, cycle paths and pedestrian areas, yet the Dulevo 2000 Sky is also particularly suitable for applications such as multi-storey car parks because of its highly compact dimensions and enhanced manoeuvrability.







**Environment**

Environmental awareness has always been a key concern at Dulevo International. Low noise and dust emissions combined with reduced water and fuel consumption are integral to the concept of the Dulevo 2000 Sky compact sweeper. The 4 cylinder VM engine installed in the machine respects the latest EU emission regulations.

**Comfort**

In addition to the application requirements, operational ergonomics and comfort are our priority. The largest tire diameter in its class, stronger axles, comfortable suspension and ideal weight distribution ensure balanced and safe operation by the driver. The powerful hydrostatic transmission enables sweeping operation in difficult conditions and on high gradients. The power assisted permanent 4 wheel steering makes light work of complex manoeuvres. **The 2000 sky is equipped with an innovative rear-steering blocking system.**







### Working performance

The Dulevo 2000 Sky achieves maximum of productivity because of the adjustable working width of the side mounted front brushes. With a patented suction mouth and the powerful suction turbine it can easily collect challenging material such as grit, sand and bulky debris. A large water capacity ensures a long operating autonomy and reduces refilling stops. The performance can be increased further with the optional water recycling system.



### Access & Service

A strong, modular structure with our unique forward tilting cabin and easily removable side-mounted water tanks simplifies access to important components for service and maintenance.







**Operations**

The steering column is widely adjustable to suit different sizes of operator. The Dulevo 2000 Sky has a centrally located and easy to read main control panel, which is simple to use and understand with real switches and buttons. The front brush units are controlled by joysticks positioned on the drivers door arm rest.

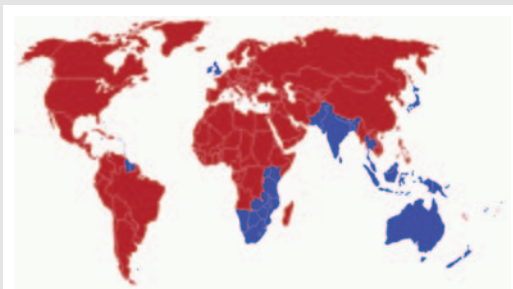


**Cabin**

The symmetrically arranged full two-seater cabin of the Dulevo 2000 Sky has been carefully developed for a compact sweeping machine. Additional noise reducing insulation and cabin suspension protects the operator from noise emissions and vibrations. The generous interior space of the cabin makes this sweeping machine an extremely comfortable workplace. Large window surfaces of the cabin allow an unobstructed panoramic view of the working area. Standard equipment includes; heated mirrors, Air conditioning and 12v charging socket for mobile devices.

**Left Hand Drive**

The Dulevo 2000 Sky is also available in a left hand drive version with all controls moved to suit the left hand operating position.

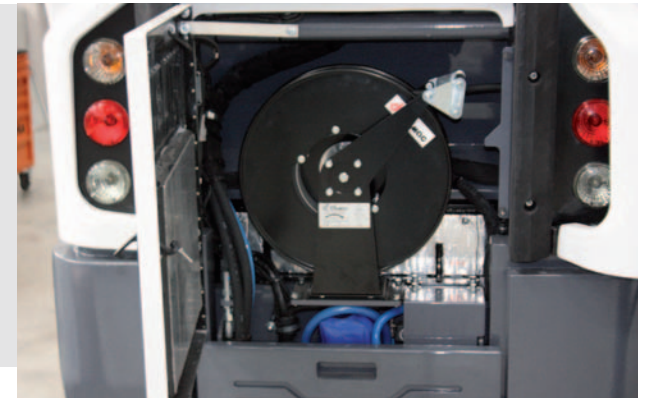






**Application**

The optional 180-degree full motion large 3rd front brush is a special tool designed for greater reach when sweeping into corners, gutters and for increasing the sweeping path. The Dulevo 2000 Sky is fitted as standard with a cabin floor sweeping window which gives the operator an excellent view of the activity at the suction mouth, however, an optional additional camera and suction mouth working light mounted below the cabin are available, these can further improve the operators view of what is happening during the sweeping operation.



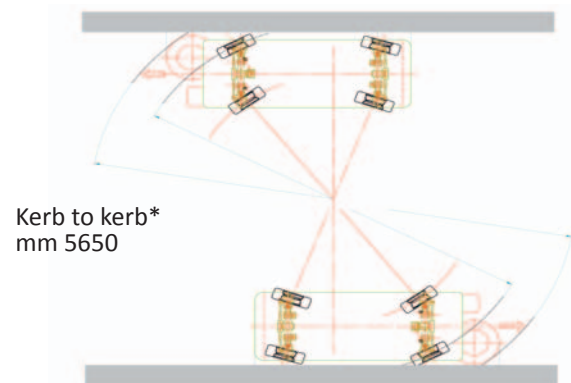
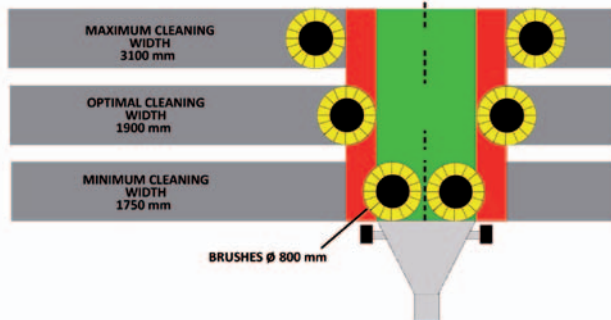
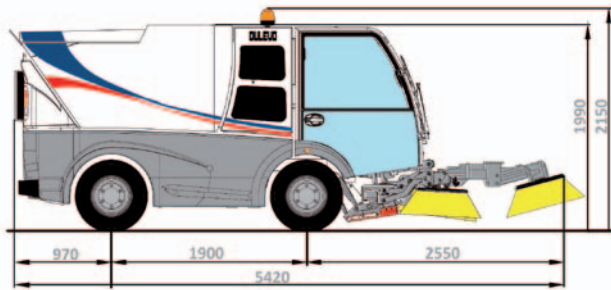
**Security**

A major concern of Dulevo is always the safety in the working environment of the machine.

Standard equipment for the Dulevo 2000 Sky includes a reversing camera with a color wide screen mounted in the cabin. Additionally an accustical reversing alarm is fitted as standard to ensure safe driving. A wired remote control allows the driver to empty the hopper while standing outside of the cabin where he has good visibility of the waste discharge area.







Kerb to kerb\*  
mm 5650

Technical Data		2000 SKY
Sweeping width variable	mm	1750 - 3100
Sweeping width with third brush	mm	3400
Brushes diameter	mm	800
Cleaning performance	m <sup>2</sup> /h	28000
Maximum speed	Km/h	40
Waste hopper capacity	Lt	2000
Dumping height	mm	1600
Water tank capacity	Lt	470
Seats in the cabin	n°	2
Motor Make		VM
Length	mm	4640
Width	mm	1350
Height	mm	1190
Weight	Kg	3750

Allianz Arena



**DULEVO INTERNATIONAL S.P.A.**

Via G.Guareschi,1 - 43012 - Fontanellato (Parma) Italia

ph: +39 0521 827711 - Fax: +39 0521 827795

[info@dulevo.com](mailto:info@dulevo.com) - [www.dulevo.com](http://www.dulevo.com)

