



**STRONG PARTNERS.  
TOUGH TRUCKS.™**



# REACH TRUCK

**R1.4-R2.5**

**1400-2500 KG**



# R1.4, R1.6, R1.6N, R2.0, R2.5, R1.6HD, R2.0HD

DISTINGUISHING MARKS	1.1	Manufacturer (abbreviation)	
	1.2	Manufacturer's type designation	
	1.3	Drive: electric (battery or mains), diesel, petrol, fuel gas	
	1.4	Operator type: hand, pedestrian, standing, seated, order-picker	
	1.5	Rated capacity/Rated load	Q (t)
	1.6	Load centre distance	c (mm)
	1.8	Load distance, centre of drive axle to fork	x (mm)
	1.9	Wheelbase	y (mm)

HYSTER		HYSTER		HYSTER		HYSTER	
R1.4		R1.6		R1.6N		R2.0	
Electric (battery)		Electric (battery)		Electric (battery)		Electric (battery)	
Seated		Seated		Seated		Seated	
1.4		1.6		1.6		2.0	
600		600		600		600	
402		452		382		430	
1400		1450		1450		1500	

WEIGHTS	2.1	Service weight	kg
	2.3	Axle loading, unladen front/rear ◆	kg
	2.4	Axle loading fork advanced, laden front/rear	kg
	2.5	Axle loading fork retracted, laden front/rear	kg

3112		3162		3111		3615	
1977	1135	2018	1144	1922	1189	2261	1354
682	3830	601	4162	569	4142	671	4943
1778	2735	1853	2909	1680	3032	2032	3583

TYRES / CHASSIS	3.1	Tyres: polyurethane, tophane, vulkollan, front/rear	
	3.2	Tyre size, front	ø mm x mm
	3.3	Tyre size, rear	ø mm x mm
	3.5	Wheels, number front/rear (x = driven wheels)	
	3.7	Tread, rear	b <sub>11</sub> (mm)

Vulkollan/Vulkollan		Vulkollan/Vulkollan		Vulkollan/Vulkollan		Vulkollan/Vulkollan	
343 x 140		343 x 140		343 x 140		343 x 140	
285 x 100		285 x 100		285 x 100		285 x 100	
1x/2		1x/2		1x/2		1x/2	
1155		1155		1025		1155	

DIMENSIONS	4.1	Tilt of mast/fork carriage forward/backward	α / β (°)
	4.2	Height of mast, lowered	h <sub>1</sub> (mm)
	4.3	Free lift	h <sub>2</sub> (mm)
	4.4	Lift	h <sub>3</sub> (mm)
	4.5	Height, mast extended ▶	h <sub>4</sub> (mm)
	4.7	Height of overhead guard (cabin) □	h <sub>5</sub> (mm)
	4.8	Seat height relating to SIP	h <sub>7</sub> (mm)
	4.10	Height of wheel arms	h <sub>8</sub> (mm)
	4.19	Overall length	l <sub>1</sub> (mm)
	4.20	Length to face of forks	l <sub>2</sub> (mm)
	4.21	Overall width ▲	b <sub>1</sub> / b <sub>2</sub> (mm)
	4.22	Fork dimensions DIN ISO 2331	s/e/l (mm)
	4.23	Fork carriage ISO 2328, class/type A, B	
	4.24	Fork-carriage width	b <sub>3</sub> (mm)
	4.25	Distance between fork-arms min./max. ✖	b <sub>5</sub> (mm)
	4.26	Distance between wheel arms/loading surfaces	b <sub>4</sub> (mm)
	4.28	Reach distance	l <sub>4</sub> (mm)
	4.31	Ground clearance, laden, below mast	m <sub>1</sub> (mm)
	4.32	Ground clearance, centre of wheelbase	m <sub>2</sub> (mm)
	4.34.1	Aisle width for pallets 1000mm x 1200mm crossways	Ast (mm)
4.34.2	Aisle width for pallets 800mm x 1200mm lengthwise	Ast (mm)	
4.35	Turning radius	Wa (mm)	
4.37	Length across wheel arms	l <sub>3</sub> (mm)	
4.42	Step Height (from ground to running board)	mm	
4.43	Step height	(mm)	

2 / 4			2 / 4			2 / 4			2 / 4		
2195			2195			2195			2195		
1648			1648			1648			1582		
5000			5000			5000			4650		
5563			5563			5563			5263		
2175			2175			2175			2175		
1082			1082			1082			1082		
308			308			308			308		
2379			2379			2449			2451		
1229			1229			1299			1301		
1265			1265			1125			1265		
40	80	1150	40	120	1150	40	120	1150	40	120	1150
2A			2A			2A			2A		
700			700			700			700		
220/640			260/680			260/680			260/680		
900			900			795			900		
585			635			565			613		
75			75			75			65		
75			75			75			65		
2718			2731			2762			2795		
2764			2767			2811			2835		
1671			1718			1700			1767		
1795			1845			1845			1895		
550			550			550			550		
371			371			371			371		

PERFORMANCE DATA	5.1	Travel speed, laden/unladen ●	km/h
	5.1.1	Travel speed, laden/unladen, backwards ●	km/h
	5.2	Lift speed, laden/unladen ●	m/s
	5.3	Lowering speed, laden/unladen	m/s
	5.4	Reaching speed, laden/unladen	m/s
	5.7	Gradeability, laden/unladen	%
	5.8	Max. gradeability laden/unladen	%
	5.9	Acceleration time laden/unladen	s
	5.10	Service brake	

11 / 11 (14 / 14)		11 / 11 (14 / 14)		11 / 11 (14 / 14)		14 / 14	
11 / 11 (14 / 14)		11 / 11 (14 / 14)		11 / 11 (14 / 14)		14 / 14	
0.37 / 0.63 (0.47 / 0.73)		0.32 / 0.63 (0.42 / 0.73)		0.32 / 0.63 (0.42 / 0.73)		0.37 / 0.64	
0.55		0.55		0.55		0.55 / 0.50	
0.17 / 0.17		0.17 / 0.17		0.17 / 0.17		0.17 / 0.17	
10 / 15		10 / 15		10 / 15		10 / 15	
10 / 15		10 / 15		10 / 15		10 / 15	
3.3 / 3.3 (2.6 / 2.6)		3.4 / 3.4 (2.7 / 2.7)		3.4 / 3.4 (2.7 / 2.7)		2.6 / 2.5	
Electric		Electric		Electric		Electric	

POWER UNIT	6.1	Drive motor S2 60 minute rating	kW
	6.2	Lift motor, S3 15% rating	kW
	6.3	Battery according to DIN 43531/35/36 A,B,C, no	
	6.4	Battery voltage/nominal capacity K5	(V)/(Ah)
	6.5	Battery weight ⊗	kg
	6.6	Energy consumption according to VDI cycle	kWh/h at number of cycles

6.4		6.4		6.4		6.4	
14		14		14		14	
C		C		C		C	
48 / 420 ■		48 / 420 ■		48 / 420 ■		48 / 560 ■	
750		750		750		939	
3.8		4.0		4.0		4.6	

DRIVE / LIFT MECHANISM	8.1	Type of drive unit
------------------------	-----	--------------------

AC -Controller		AC -Controller		AC -Controller		AC -Controller	
----------------	--	----------------	--	----------------	--	----------------	--

ADDITIONAL DATA	10.1	Operating pressure for attachments	bar
	10.2	Oil volume for attachment	l/min
	10.7	Sound pressure level at the driver's seat	dB(A)

180		180		180		180	
20		20		20		20	
<69.7		<69.7		<69.7		<69.7	

Specification data is based on VDI 2198

HYSTER		HYSTER		HYSTER		1.1
R2.5		R1.6HD		R2.0HD		1.2
Electric (battery)		Electric (battery)		Electric (battery)		1.3
Seated		Seated		Seated		1.4
2.5		1.6		2.0		1.5
600		600		600		1.6
503		308		353		1.8
1650		1450		1500		1.9

DISTINGUISHING MARKS

4038		4038		4425		2.1
2520	1518	2417	1621	2567	1858	2.2
773	5765	883	4755	891	5534	2.3
2371	4167	2172	3466	2235	4189	2.4

WEIGHTS

Vulkollan/Vulkollan		Vulkollan/Vulkollan		Vulkollan/Vulkollan		3.1
343 x 140		343 x 140		343 x 140		3.2
285 x 140		285 x 100		285 x 140		3.3
1x/2		1x/2		1x/2		3.5
1195		1155		1195		3.7

TYRES / CHASSIS

2 / 4		2 / 4		2 / 4		4.1
2195		3227		3227		4.2
1582		2680		2614		4.3
4650		8050		7900		4.4
5263		8613		8513		4.5
2175		2175		2175		4.7
1082		1082		1082		4.8
308		308		308		4.10
2528		2523		2528		4.19
1378		1373		1378		4.20
1345		1265		1345		4.21
45	120	1150	40	120	1150	4.22
2A		2A		2A		4.23
700		700		700		4.24
260 / 680		260 / 680		260 / 680		4.25
900		900		900		4.26
686		491		536		4.28
65		65		65		4.31
65		65		65		4.32
2890		2834		2850		4.34.1
2915		2896		2904		4.34.2
1911		1718		1767		4.35
2045		1845		1895		4.37
550		550		550		4.42
371		371		371		4.43

DIMENSIONS

14 / 14		14 / 14		14 / 14		5.1
14 / 14		14 / 14		14 / 14		5.1.1
0.30 / 0.64		0.42 / 0.73		0.37 / 0.68		5.2
0.55 / 0.50		0.55		0.55 / 0.55		5.3
0.17 / 0.17		0.17 / 0.17		0.17 / 0.17		5.4
8 / 14		10 / 14		8 / 13		5.7
10 / 15		10 / 15		10 / 15		5.8
2.7 / 2.6		2.6 / 2.5		2.7 / 2.6		5.9
Electric		Electric		Electric		5.10

PERFORMANCE DATA

6.4		6.4		6.4		6.1
14		14		14		6.2
C		C		C		6.3
48 / 700 ■		48/560 ■		48/700 ■		6.4
1119		939		1119		6.5
5.2		4.2		4.8		6.6

POWER UNIT

AC -Controller		AC -Controller		AC -Controller		8.1
----------------	--	----------------	--	----------------	--	-----

DRIVE /LIFT MECHANISMS

180		180		180		10.1
20		20		20		10.2
<69.7		<69.7		<69.7		10.7

ADDITIONAL DATA

## NOTE:

Specifications are affected by the condition of the vehicle and how it is equipped, as well as the nature and condition of the operating area. Inform your dealer of the nature and condition of the intended operating area when purchasing your Hyster Truck.

- ▶ With load backrest h4 + 508 mm (R1.4-R1.6-R1.6N-R1.6HD), + 443 mm (R2.0-R2.5 R2.0HD).
- With beacon h6 + 120 mm; With OHG Grid Protector h6 + 20 mm ; With OHG Screen Protector h6 + 30 mm
- ▲ With load wheels lateral covers: 1289 mm (R1.4-R1.6-R2.0-R1.6HD), 1153 mm (R1.6N), 1373 mm (R2.5-R2.0HD).
- ⊗ These values may vary of +/- 5%.
- ◆ Forks retracted.
- Battery information
- Values in brackets are optional.
- ✱ Side shift stroke is +/-75mm on all trucks. Reduced to +/-25mm for R1.6N.

## MAST TABLES

- ▶ R1.4, R1.6, R1.6N & R1.6HD -With load backrest 1000 mm height, h4 + 508 mm; with load backrest 1500 mm height, h4 + 1008 mm
- ▶ R2.0, R2.5 & R.0HD - With load backrest 1000 mm height, h4 + 443 mm; with load backrest 1500 mm height, h4 + 943 mm
- ❖ All weights are: mast structures (weldment, cylinders, chain, pulley) + carriage + oil. EXCLUDED: forks, accessories.
- ★ With load backrest 700 mm width, 1000 mm height, weight + 13 kg; with load backrest 700 mm width, 1500 mm height, weight + 21 kg

## BATTERY TABLES

- With load wheels lateral covers: 1489 mm (Wide), 1689 mm (Extra Wide)
- ⊗ These values may vary of +/- 5%.
- ← Forks retracted.
- ✱ Side shift stroke is +/-75mm on all trucks.

All weights (2.1 to 2.5) are with lowest mast and standard forks.

## STANDARD EQUIPMENT AND OPTIONS

- ✓ Includes:
  - End of stroke slow down on lift
  - Soft stop on lowering
  - Height controlled mast cushioning over Free Lift/ Main lift mast section
  - Height indicator
- ✓✓ DIN C battery on R1.4 / R1.6 / R2.0 / R2.5 /R1.6HD / R2.0HD
- DIN B battery on R1.6N

## NOTICE

Care must be exercised when handling elevated loads. When the carriage and/or load is elevated, truck stability is reduced. It is important that the mast tilt in either direction is kept to a minimum when loads are elevated.

Operators must be trained and must read, understand and follow the instructions contained in the Operating Manual.

All values are nominal values and they are subject to tolerances. For further information, please contact the manufacturer.

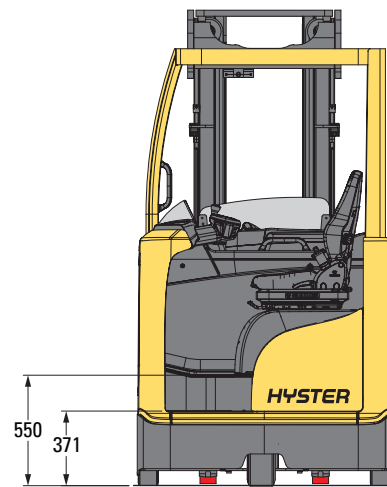
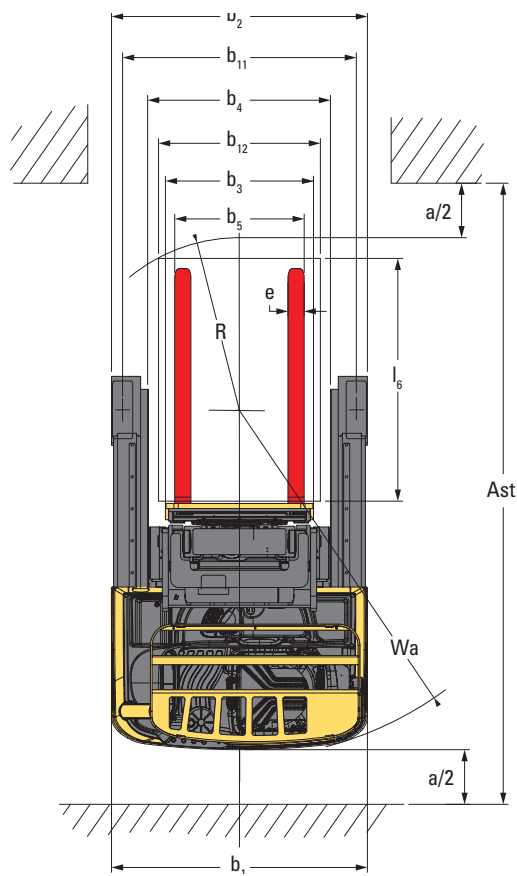
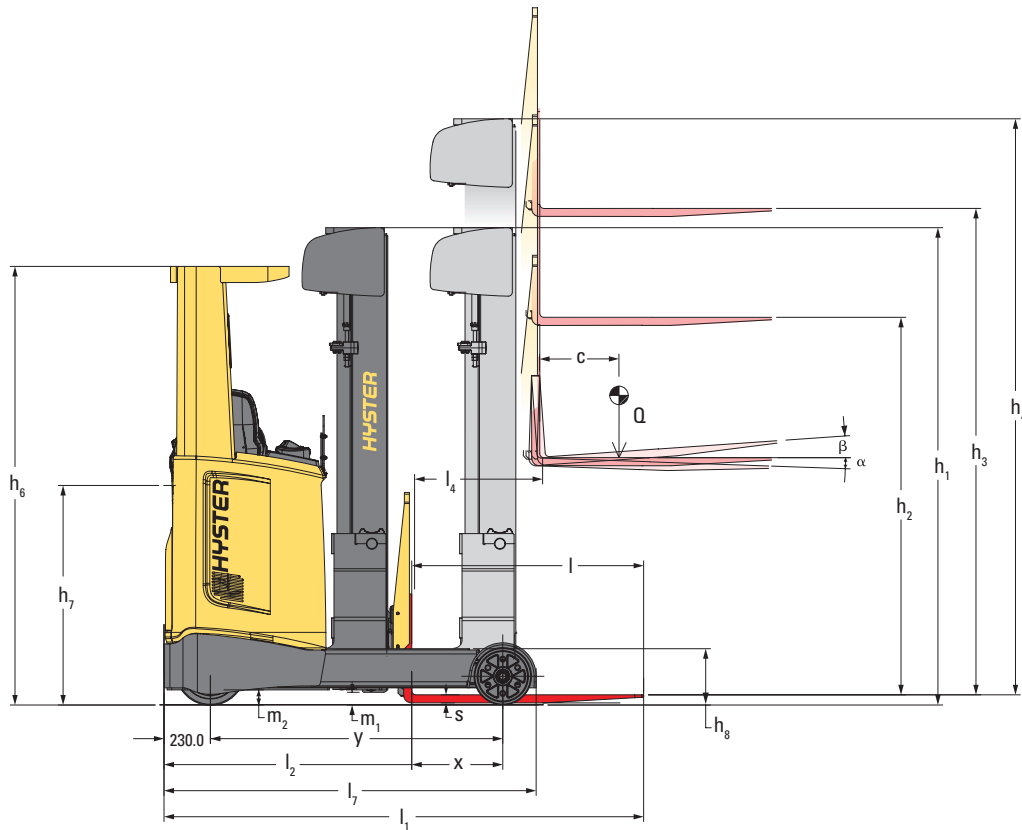
Hyster products are subject to change without notice.

Lift trucks illustrated may feature optional equipment. Values may vary with alternative configurations.

## CE Safety:

This truck conforms to the current EU requirements.

# TRUCK DIMENSIONS - STANDARD



$$A_{st} = W_a + R + a$$

(see lines 4.34.1 and 4.34.2)

$$R = \sqrt{(l_6 - x)^2 + \left(\frac{b_{12}}{2}\right)^2}$$

$$a = 200\text{mm}$$

All values are nominal values and they are subject to tolerances. For further information, please contact the manufacturer. Hyster products might be subject to change without notice. Lift trucks illustrated may feature optional equipment. Values may vary with alternative configurations.

# STANDARD EQUIPMENT AND OPTIONS

Feature	R1.4/1.6	R1.6N	R2.0/2.5	R1.6HD	R2.0HD
<b>OPERATOR COMPARTMENT</b>					
Intermediate step	X	X	X	X	X
Grab handle on overhead guard post	X	X	X	X	X
Grab handle under armrest	X	X	X	X	X
TouchPoint™ mini levers mounted on adjustable length armrest	X	X	X	X	X
Joystick mounted on adjustable length armrest	0	0	0	0	0
Full suspension seat - 60 mm suspension travel cloth upholstery	X	X	X	X	X
Full suspension seat - 80 mm suspension travel cloth upholstery	0	0	0	0	0
Headrest (cloth version only)	0	0	0	0	0
Synchronised seat cushion and backrest movement (cloth version only)	0	0	0	0	0
Seat belt	0	0	0	0	0
Heated seat	0	0	0	0	0
Antistatic seat (cloth version only)	0	0	0	0	0
Vinyl seat upholstery	0	0	0	0	0
Standard display	X	X	X	X	X
Premium display with touch screen	0	0	0	0	0
Keyless access	0	0	0	0	0
Adjustable steering column	X	X	X	X	X
Automatic park brake	X	X	X	X	X
180° steering	X	X	X	X	X
360° steering	0	0	0	0	0
Driver select steering mode 180 / 360° (push button)	0	0	0	0	0
<b>TRAVEL PERFORMANCE</b>					
Travel speed 11 km/h	X	X	-	-	-
Travel speed 14 km/h with electric load wheel braking	0	0	X	X	X
Speed slow down mast reached forward	X	X	X	X	X
Speed slow down on cornering	X	X	X	X	X
Speed slow down over free lift	X	X	X	X	X
<b>LIFT PERFORMANCE / IRRIER ASSIST</b>					
3 stage mast / tilting carriage	X	X	X	-	-
3 stage HD mast / tilting carriage	-	-	-	X	X
4 stage mast / tilting carriage	0	0	0	-	0
Simultaneous lift / reach functionality	X	X	X	X	X
Simultaneous hydraulic functionality - 3 functions	0	0	0	0	0
Mast cushioning over free lift/main lift sections - fixed sensor mounting	X	X	X	X	-
Lift Comfort package ✓	0	0	0	X	X
Lift Performance package	0	0	-	X	X
Laser line fork positioning aid (above free lift)	0	0	0	0	0
Auto side shift centring	0	0	0	0	0
Auto fork levelling in the horizontal position	0	0	0	0	0
Height preselector (with / without pallet detection device)	0	0	0	0	0
Fork mounted camera / monitor	0	0	0	0	0
Weight indicator	0	0	0	0	0
<b>APPLICATION ENVIRONMENT</b>					
5th hydraulic function	0	0	0	0	0
Universal support bracket	0	0	0	0	0
Beverage holder and document tray	0	0	0	0	0
A4 clipboard	0	0	0	0	0
Stretch film roll holder	0	0	0	0	0
Lift limit with override (1 x height setting)	0	0	0	0	0
Lift limit with override (2 x height settings)	0	0	0	0	0
Lower limit (with override option)	0	0	0	0	0
Flashing beacon	0	0	0	0	0
Work lights x 2 (mast side)	0	0	0	0	0
Work lights x 2 (drive side)	0	0	0	0	0
Polycarbonate (lexan) protection on overhead guard	0	0	0	0	0
Metal grid protection on overhead guard	0	0	0	0	0
Top / front load wheel protection	X	X	X	X	X
Side load wheel protection	0	0	0	0	0
High temperature environment	0	0	0	0	0
Side battery change - battery tray rollers	0	0	0	0	0
Side battery change table	0	0	0	0	0
Extension cable	0	0	0	0	0
Drive-in overhead guard (w900 x h1400 / w900 x h1700 mm)	0	0	0	0	0
Antistatic drive and load wheels	0	0	0	0	0
Wet surface drive and load wheels	0	0	0	0	0
Side guidance rollers	0	0	R2.0	0	0
DC / DC converter (choice of 12V / 48V, 24V / 48V, 12-24V / 48V options)	0	0	0	0	0
Audible alarm (choice of forks leading, forks trailing, both travel directions)	0	0	0	0	0
Load backrest (choice of heights 1000 / 1500 mm)	0	0	0	0	0

## STANDARD EQUIPMENT AND OPTIONS

CHASSIS / BATTERY SIZES	Chassis width (max)						
		1265mm	x	-	R2.0	x	-
		1125mm	-	x	-	-	-
		1345mm	-	-	R2.5	-	x
	Battery sizes ✓✓						
		420-465 Ah	o	o	-	-	-
		560-620 Ah	o	o	o R2.0	o	-
		700-775 Ah	o	o	o	o	o
		840-930 Ah	-	-	o R2.5	-	o

## MAST INFORMATION

Values shown are for standard equipment. When using non-standard equipment these values may change. Please contact your Hyster dealer for information.

### R1.4, R1.6 & R1.6N

#### Standard Mast - 3 stage full free lift (1,400kg / 1,600kg)

Manufacturer's type designation		Lift (h <sub>3</sub> ) mm	Free lift (h <sub>2</sub> ) mm	Height of mast lowered (h <sub>1</sub> ) mm	Height, mast extended D (h <sub>4</sub> ) mm	Weight ⇄ ★ kg
R1.4 R1.6	R1.6N	5000	1648	2195	5563	911
		5250	1734	2281	5813	936
		5500	1820	2367	6063	961
		5750	1906	2453	6313	986
		6000	1992	2539	6563	1010
		6250	2078	2625	6813	1035
		6500	2164	2711	7063	1060
		6750	2250	2797	7313	1090
		7000	2336	2883	7563	1115
		7250	2422	2969	7813	1140
		7500	2508	3055	8063	1164
		7750	2594	3141	8313	1220
		8000	2680	3227	8563	1244
		8250	2766	3313	8813	1269
		8500	2852	3399	9063	1299
		8750	2938	3485	9313	1324
		9000	3024	3571	9563	1349
			9250	3110	3657	9813
	9500	3196	3753	10063	1407	
	9750	3282	3839	10313	1431	
	10000	3368	3925	10563	1460	
	10250	3454	4011	10813	1485	
	10500	3540	4097	11063	1509	

### R2.0 & R2.5

#### Standard Mast - 3 stage full free lift (2,000kg / 2,500kg)

Manufacturer's type designation		Lift (h <sub>3</sub> ) mm	Free lift (h <sub>2</sub> ) mm	Height of mast lowered (h <sub>1</sub> ) mm	Height, mast extended D (h <sub>4</sub> ) mm	Weight ⇄ ★ kg
R2.0 R2.5		4650	1582	2195	5263	958
		4900	1668	2281	5513	985
		5150	1754	2367	5763	1012
		5400	1840	2453	6013	1038
		5650	1926	2539	6263	1065
		5900	2012	2625	6513	1092
		6150	2098	2711	6763	1118
		6400	2184	2797	7013	1150
		6650	2270	2883	7263	1177
		6900	2356	2969	7513	1204
		7150	2442	3055	7763	1230
		7400	2528	3141	8013	1288
		7650	2614	3227	8263	1314
		7900	2700	3313	8513	1341
		8150	2786	3399	8763	1373

**R1.6HD****Heavy Duty Mast - 3 stage full free lift (1,600kg)**

Manufacturer's type designation	Lift (h <sub>3</sub> ) mm	Free lift (h <sub>2</sub> ) mm	Height of mast lowered (h <sub>1</sub> ) mm	Height, mast extended D (h <sub>4</sub> ) mm	Weight ⇄ ★ kg
R1.6HD	7900	2680	3227	8463	1376
	8150	2766	3313	8713	1404
	8400	2852	3399	8963	1438
	8650	2938	3485	9213	1467
	8900	3024	3571	9463	1495
	9150	3110	3657	9713	1523
	9400	3196	3753	9963	1558
	9650	3282	3839	10213	1586
	9900	3368	3925	10463	1649
	10150	3454	4011	10713	1677
	10400	3540	4097	10963	1706
	10650	3626	4183	11213	1734
	10900	3712	4269	11463	1763
	11150	3798	4355	11713	1791
11400	3884	4441	11963	1819	

**R2.0HD****Heavy Duty Mast - 3 stage full free lift (2,000kg)**

Manufacturer's type designation	Lift (h <sub>3</sub> ) mm	Free lift (h <sub>2</sub> ) mm	Height of mast lowered (h <sub>1</sub> ) mm	Height, mast extended D (h <sub>4</sub> ) mm	Weight ⇄ ★ kg
R2.0HD	7750	2614	3227	8363	1402
	8000	2700	3313	8613	1431
	8250	2786	3399	8863	1465
	8500	2872	3485	9113	1494
	8750	2958	3571	9363	1523
	9000	3044	3657	9613	1552
	9250	3130	3753	9863	1587
	9500	3216	3839	10113	1615
	9750	3302	3925	10363	1678
	10000	3388	4011	10613	1707
	10250	3474	4097	10863	1736
	10500	3560	4183	11113	1765
	10750	3646	4269	11363	1793
	11000	3732	4355	11613	1822
	11250	3818	4441	11863	1851
	11500	3904	4527	12113	1880
	11750	3990	4613	12363	1908
	12000	4076	4699	12613	1937
	12250	4162	4785	12863	1966
12500	4248	4871	13113	1995	
12750	4334	4957	13373	2024	

## MAST INFORMATION

Values shown are for standard equipment. When using non-standard equipment these values may change. Please contact your Hyster dealer for information.

### R1.4, R1.6, R1.6N

#### Standard Mast - 4 stage full free lift (1,400kg / 1,600kg)

Manufacturer's type designation		Lift (h <sub>3</sub> ) mm	Free lift (h <sub>2</sub> ) mm	Height of mast lowered (h <sub>1</sub> ) mm	Height, mast extended D (h <sub>4</sub> ) mm	Weight ⇄ ★ kg
R1.4	R1.6N	6650	1700	2280	7230	1014
		7050	1800	2380	7630	1046
		7450	1900	2480	8030	1078
		7850	2000	2580	8430	1110
		8050	2050	2630	8630	1126
	R1.6	8300	2150	2730	8880	1158
		8500	2200	2780	9080	1207
		8700	2250	2830	9280	1223
		9150	2400	2980	9730	1271
		9400	2500	3080	9980	1303
		9850	2650	3230	10430	1351
		10050	2700	3280	10630	1367

### R2.0, R2.5, R2.0HD

#### Standard Mast - 4 stage full free lift (2,000kg / 2,500kg)

Manufacturer's type designation		Lift (h <sub>3</sub> ) mm	Free lift (h <sub>2</sub> ) mm	Height of mast lowered (h <sub>1</sub> ) mm	Height, mast extended D (h <sub>4</sub> ) mm	Weight ⇄ ★ kg
R2.0		7050	1800	2380	7630	1295
		7450	1900	2480	8030	1335
		7850	2000	2580	8430	1375
R2.5		8050	2050	2630	8630	1395
		8300	2150	2730	8880	1435
		8500	2200	2780	9080	1490
		8700	2250	2830	9280	1510
		9150	2400	2980	9730	1570
	R2.0HD	9400	2500	3080	9980	1610
		9850	2650	3230	10430	1670
		10050	2700	3280	10630	1690
		10300	2800	3380	10880	1730
		10500	2850	3430	11080	1750
		10750	2950	3530	11330	1790
		11000	3050	3630	11580	1830
		11400	3150	3730	11980	1870



# BATTERY INFORMATION - R1.4, R1.6, R1.6N

	Truck dimensions for different batteries	Battery type
1.2	Manufacturer's type designation	
1.8	Load distance, centre of drive axle to fork	x (mm)
1.9	Wheelbase	y (mm)
2.1	Service weight	kg
2.3	Axle loading, unladen front/rear ←	kg
2.4	Axle loading fork advanced, laden front/rear	kg
2.5	Axle loading fork retracted, laden front/rear	kg
4.19	Overall length	$l_1$ (mm)
4.20	Length to face of forks	$l_2$ (mm)
4.28	Reach distance	$l_4$ (mm)
4.34.1	Aisle width for pallets 1000mm x 1200mm crossways	Ast (mm)
4.34.2	Aisle width for pallets 800mm x 1200mm lengthwise	Ast (mm)
4.35	Turning radius	Wa (mm)
6.3	Battery according to DIN 43531/35/36 A,B,C, no	
6.4	Battery voltage/nominal capacity K5	(V) / (Ah)
6.5	Battery weight ⊙	kg

C "Super"	C	C "Super"	C	C "Super"
R1.4	R1.4	R1.4	R1.4	R1.4
402	330	330	258	258
1400	1400	1400	1400	1400
3112	3309	3320	3495	3541
1977 / 1135	2025 / 1285	2032 / 1289	2055 / 1440	2084 / 1457
682 / 3830	792 / 3917	800 / 3921	885 / 4010	914 / 4027
1778 / 2735	1753 / 2956	1760 / 2960	1711 / 3184	1741 / 3201
2379	2451	2451	2523	2523
1229	1301	1301	1373	1373
585	513	513	441	441
2718	2771	2771	2825	2826
2764	2829	2829	2895	2895
1671	1671	1671	1671	1671
C "Super"	C	C "Super"	C	C "Super"
48 / 465	48 / 560	48 / 620	48 / 700	48 / 775
750	939	950	1119	1165

	Truck dimensions for different batteries	Battery type
1.2	Manufacturer's type designation	
1.8	Load distance, centre of drive axle to fork	x (mm)
1.9	Wheelbase	y (mm)
2.1	Service weight	kg
2.3	Axle loading, unladen front/rear ←	kg
2.4	Axle loading fork advanced, laden front/rear	kg
2.5	Axle loading fork retracted, laden front/rear	kg
4.19	Overall length	$l_1$ (mm)
4.20	Length to face of forks	$l_2$ (mm)
4.28	Reach distance	$l_4$ (mm)
4.34.1	Aisle width for pallets 1000mm x 1200mm crossways	Ast (mm)
4.34.2	Aisle width for pallets 800mm x 1200mm lengthwise	Ast (mm)
4.35	Turning radius	Wa (mm)
6.3	Battery according to DIN 43531/35/36 A,B,C, no	
6.4	Battery voltage/nominal capacity K5	(V) / (Ah)
6.5	Battery weight ⊙	kg

C "Super"	C	C "Super"	C	C "Super"
R1.4	R1.4	R1.4	R1.4	R1.4
452	380	380	308	308
1450	1450	1450	1450	1450
3162	3360	3371	3546	3592
2018 / 1144	2069 / 1291	2077 / 1294	2103 / 1443	2133 / 1459
601 / 4162	714 / 4246	721 / 4250	810 / 4336	839 / 4352
1853 / 2909	1825 / 3135	1832 / 3139	1779 / 3367	1809 / 3383
2379	2451	2451	2523	2523
1229	1301	1301	1373	1373
635	563	563	491	491
2731	2781	2781	2834	2834
2767	2830	2830	2896	2896
1718	1718	1718	1718	1718
C "Super"	C	C "Super"	C	C "Super"
48 / 465	48 / 560	48 / 620	48 / 700	48 / 775
750	939	950	1119	1165

	Truck dimensions for different batteries	Battery type
1.2	Manufacturer's type designation	
1.8	Load distance, centre of drive axle to fork	x (mm)
1.9	Wheelbase	y (mm)
2.1	Service weight	kg
2.3	Axle loading, unladen front/rear ←	kg
2.4	Axle loading fork advanced, laden front/rear	kg
2.5	Axle loading fork retracted, laden front/rear	kg
4.19	Overall length	$l_1$ (mm)
4.20	Length to face of forks	$l_2$ (mm)
4.28	Reach distance	$l_4$ (mm)
4.34.1	Aisle width for pallets 1000mm x 1200mm crossways	Ast (mm)
4.34.2	Aisle width for pallets 800mm x 1200mm lengthwise	Ast (mm)
4.35	Turning radius	Wa (mm)
6.3	Battery according to DIN 43531/35/36 A,B,C, no	
6.4	Battery voltage/nominal capacity K5	(V) / (Ah)
6.5	Battery weight ⊙	kg

B "Super"	B	B "Super"	B	B "Super"
R1.6N	R1.6N	R1.6N	R1.6N	R1.6N
382	292	292	202	202
1450	1450	1450	1450	1450
3115	3309	3317	3498	3514
1924 / 1191	1947 / 1362	1952 / 1365	1955 / 1543	1965 / 1549
572 / 4143	672 / 4237	677 / 4240	757 / 4341	766 / 4347
1682 / 3033	1606 / 3303	1611 / 3306	1514 / 3584	1524 / 3590
2449	2539	2539	2629	2629
1299	1389	1389	1479	1479
565	475	475	385	385
2762	2828	2828	2898	2899
2811	2893	2893	2976	2976
1700	1700	1700	1700	1700
B "Super"	B	B "Super"	B	B "Super"
48 / 465	48 / 560	48 / 620	48 / 700	48 / 775
750	937	945	1119	1135

All values are nominal values and they are subject to tolerances. For further information, please contact the manufacturer. Hyster products might be subject to change without notice. Lift trucks illustrated may feature optional equipment. Values may vary with alternative configurations.

# BATTERY INFORMATION - R2.0, R2.5, R1.6HD, R2.0HD

R2.0	Truck dimensions for different batteries		Battery type	C "Super"	C	C "Super"
	1.2	Manufacturer's type designation		R2.0	R2.0	R2.0
	1.8	Load distance, centre of drive axle to fork	x (mm)	430	358	358
	1.9	Wheelbase	y (mm)	1500	1500	1500
	2.1	Service weight	kg	3626	3801	3847
	2.3	Axle loading, unladen front/rear ←	kg	2268 / 1358	2296 / 1504	2326 / 1520
	2.4	Axle loading fork advanced, laden front/rear	kg	679 / 4947	770 / 5030	801 / 5046
	2.5	Axle loading fork retracted, laden front/rear	kg	2039 / 3586	1971 / 3829	2002 / 3845
	4.19	Overall length	l <sub>1</sub> (mm)	2451	2523	2523
	4.20	Length to face of forks	l <sub>2</sub> (mm)	1301	1373	1373
4.28	Reach distance	l <sub>4</sub> (mm)	613	541	541	
4.34.1	Aisle width for pallets 1000mm x 1200mm crossways	Ast (mm)	2795	2846	2846	
4.34.2	Aisle width for pallets 800mm x 1200mm lengthwise	Ast (mm)	2835	2900	2900	
4.35	Turning radius	Wa (mm)	1767	1767	1767	
6.3	Battery according to DIN 43531/35/36 A,B,C, no		C "Super"	C	C "Super"	
6.4	Battery voltage/nominal capacity K5	(V) / (Ah)	48 / 620	48 / 700	48 / 775	
6.5	Battery weight ⊙	kg	950	1119	1165	

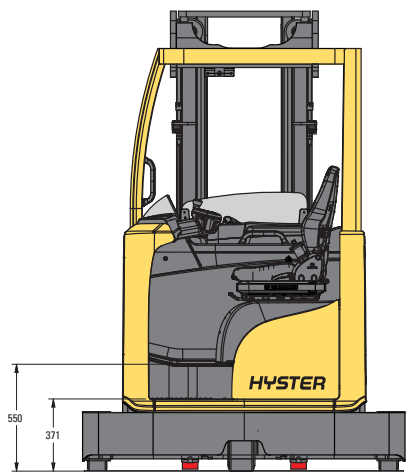
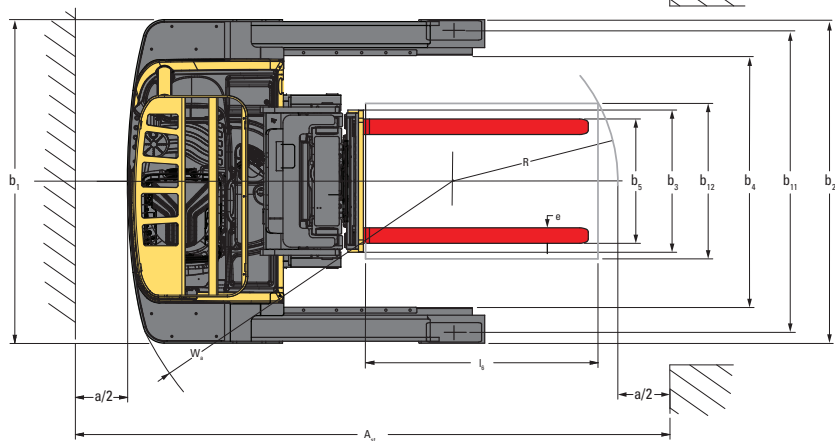
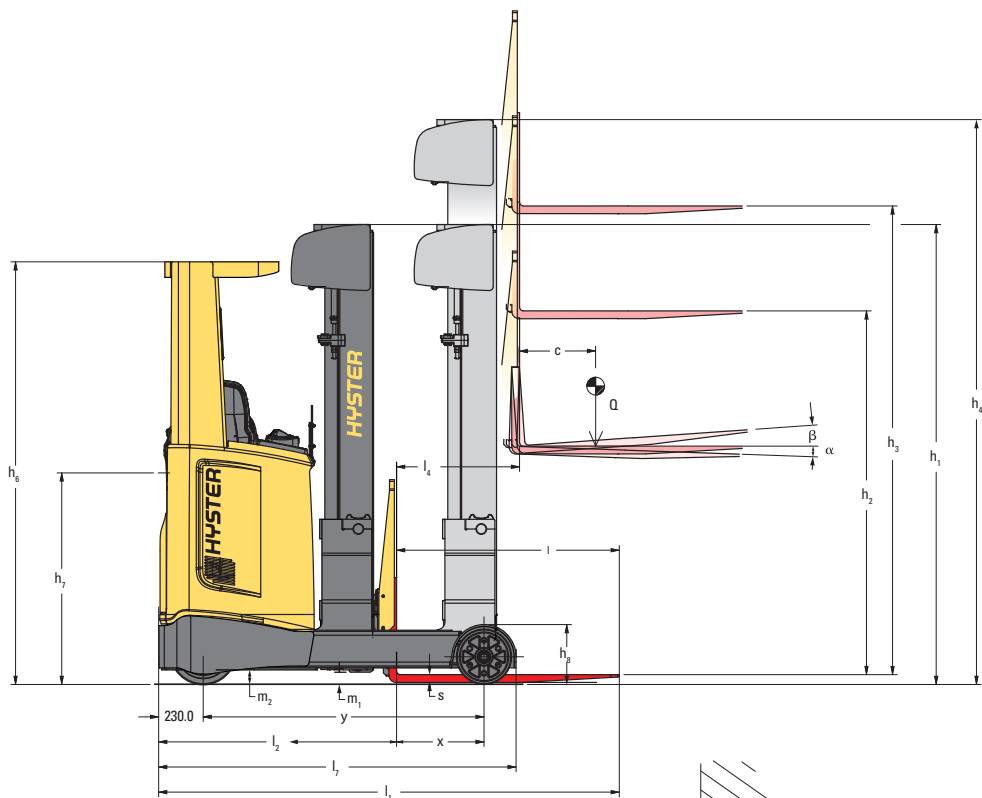
R2.5	Truck dimensions for different batteries		Battery type	C "Super"	C	C "Super"
	1.2	Manufacturer's type designation		R2.5	R2.5	R2.5
	1.8	Load distance, centre of drive axle to fork	x (mm)	503	431	431
	1.9	Wheelbase	y (mm)	1650	1650	1650
	2.1	Service weight	kg	4084	4230	4292
	2.3	Axle loading, unladen front/rear ←	kg	2552/1532	2565/1665	2606/1686
	2.4	Axle loading fork advanced, laden front/rear	kg	804/5780	876/5855	917/5875
	2.5	Axle loading fork retracted, laden front/rear	kg	2402/4182	2306/4424	2348/4444
	4.19	Overall length	l <sub>1</sub> (mm)	2528	2600	2600
	4.20	Length to face of forks	l <sub>2</sub> (mm)	1378	1450	1450
4.28	Reach distance	l <sub>4</sub> (mm)	686	614	614	
4.34.1	Aisle width for pallets 1000mm x 1200mm crossways	Ast (mm)	2890	2938	2938	
4.34.2	Aisle width for pallets 800mm x 1200mm lengthwise	Ast (mm)	2915	2978	2978	
4.35	Turning radius	Wa (mm)	1911	1911	1911	
6.3	Battery according to DIN 43531/35/36 A,B,C, no		C "Super"	C	C "Super"	
6.4	Battery voltage/nominal capacity K5	(V) / (Ah)	48/775	48/840	48/930	
6.5	Battery weight ⊙	kg	1165	1306	1368	

R1.6HD	Truck dimensions for different batteries		Battery type	C "Super"	C	C "Super"
	1.2	Manufacturer's type designation		R1.6HD	R1.6HD	R1.6HD
	1.8	Load distance, centre of drive axle to fork	x (mm)	308	308	308
	1.9	Wheelbase	y (mm)	1450	1450	1450
	2.1	Service weight	kg	4049	4224	4270
	2.3	Axle loading, unladen front/rear ←	kg	2424 / 1625	2428 / 1796	2457 / 1813
	2.4	Axle loading fork advanced, laden front/rear	kg	891 / 4758	979 / 4845	1009 / 4861
	2.5	Axle loading fork retracted, laden front/rear	kg	2180 / 3469	2104 / 3720	2134 / 3736
	4.19	Overall length	l <sub>1</sub> (mm)	2523	2523	2523
	4.20	Length to face of forks	l <sub>2</sub> (mm)	1373	1373	1373
4.28	Reach distance	l <sub>4</sub> (mm)	491	491	491	
4.34.1	Aisle width for pallets 1000mm x 1200mm crossways	Ast (mm)	2834	2834	2834	
4.34.2	Aisle width for pallets 800mm x 1200mm lengthwise	Ast (mm)	2896	2896	2896	
4.35	Turning radius	Wa (mm)	1718	1718	1718	
6.3	Battery according to DIN 43531/35/36 A,B,C, no		C "Super"	C	C "Super"	
6.4	Battery voltage/nominal capacity K5	(V) / (Ah)	48 / 620	48 / 700 (6)	48 / 775	
6.5	Battery weight ⊙	kg	950	1119	1165	

R2.0HD	Truck dimensions for different batteries		Battery type	C "Super"	C	C "Super"
	1.2	Manufacturer's type designation		R2.0HD	R2.0HD	R2.0HD
	1.8	Load distance, centre of drive axle to fork	x (mm)	353	281	281
	1.9	Wheelbase	y (mm)	1500	1500	1500
	2.1	Service weight	kg	4471	4617	4679
	2.3	Axle loading, unladen front/rear ←	kg	2597 / 1874	2577 / 2040	2616 / 2063
	2.4	Axle loading fork advanced, laden front/rear	kg	921 / 5550	985 / 5632	1024 / 5655
	2.5	Axle loading fork retracted, laden front/rear	kg	2266 / 4205	2149 / 4468	2189 / 4490
	4.19	Overall length	l <sub>1</sub> (mm)	2528	2600	2600
	4.20	Length to face of forks	l <sub>2</sub> (mm)	1378	1450	1450
4.28	Reach distance	l <sub>4</sub> (mm)	536	464	464	
4.34.1	Aisle width for pallets 1000mm x 1200mm crossways	Ast (mm)	2850	2903	2903	
4.34.2	Aisle width for pallets 800mm x 1200mm lengthwise	Ast (mm)	2904	2970	2970	
4.35	Turning radius	Wa (mm)	1767	1767	1767	
6.3	Battery according to DIN 43531/35/36 A,B,C, no		C "Super"	C	C "Super"	
6.4	Battery voltage/nominal capacity K5	(V) / (Ah)	48 / 775	48 / 840	48 / 930	
6.5	Battery weight ⊙	kg	1165	1306	1368	

All values are nominal values and they are subject to tolerances. For further information, please contact the manufacturer. Hyster products might be subject to change without notice. Lift trucks illustrated may feature optional equipment. Values may vary with alternative configurations.

# TRUCK DIMENSIONS - WIDE / EXTRA WIDE



$$A_{st} = W a + R + a$$

(see lines 4.34.1 and 4.34.2)

$$R = \sqrt{(l_6 - x)^2 + \left(\frac{b_{12}}{2}\right)^2}$$

$$a = 200\text{mm}$$

All values are nominal values and they are subject to tolerances. For further information, please contact the manufacturer. Hyster products might be subject to change without notice. Lift trucks illustrated may feature optional equipment. Values may vary with alternative configurations.

# BATTERY INFORMATION - WIDE - R1.6, R2.0, R1.6HD

R1.6	Truck dimensions for different batteries		Battery type	C	C	C	C "Super"	C "Super"	C "Super"
	1.2	Manufacturer's type designation			R1.6	R1.6	R1.6	R1.6	R1.6
1.8	Load distance, centre of drive axle to fork	x (mm)		452	380	308	452	380	308
1.9	Wheelbase	y (mm)		1450	1450	1450	1450	1450	1450
2.1	Service weight	kg		3214	3409	3571	3214	3409	3571
2.3	Axle loading, unladen front/rear ←	kg		2062 / 1172	2096 / 1313	2093 / 1478	2062 / 1172	2096 / 1313	2093 / 1478
2.4	Axle loading fork advanced, laden front/rear	kg		592 / 4242	690 / 4319	728 / 4444	592 / 4242	690 / 4319	728 / 4444
2.5	Axle loading fork retracted, laden front/rear	kg		1862 / 2973	1816 / 3193	1710 / 3462	1862 / 2973	1816 / 3193	1710 / 3462
4.19	Overall length	l <sub>1</sub> (mm)		2379	2451	2523	2379	2451	2523
4.20	Length to face of forks	l <sub>2</sub> (mm)		1229	1301	1373	1229	1301	1373
4.21	Overall width ▣	b <sub>1</sub> /b <sub>2</sub> (mm)		1465	1465	1465	1465	1465	1465
4.23	Fork carriage ISO 2328, class/type A, B			2A	2A	2A	2A	2A	2A
4.24	Fork-carriage width	b <sub>3</sub> (mm)		900	900	900	900	900	900
4.25	Distance between fork-arms min/max ✖	b <sub>5</sub> (mm)		260 / 884	260 / 884	260 / 884	260 / 884	260 / 884	260 / 884
4.26	Distance between wheel arms/loading surfaces	b <sub>4</sub> (mm)		1095	1095	1095	1095	1095	1095
4.28	Reach distance	l <sub>4</sub> (mm)		635	563	491	635	563	491
4.34.1	Aisle width for pallets 1000mm x 1200mm crossways	A <sub>31</sub> (mm)		2731	2781	2834	2731	2781	2834
4.34.2	Aisle width for pallets 800mm x 1200mm lengthwise	A <sub>32</sub> (mm)		2766	2830	2896	2766	2830	2896
4.35	Turning radius	W <sub>9</sub> (mm)		1720	1720	1720	1720	1720	1720
6.3	Battery according to DIN 43531/35/36 A,B,C, no			C	C	C	C "Super"	C "Super"	C "Super"
6.4	Battery voltage/nominal capacity K5	(V)/(Ah)		48 / 420	48 / 560	48 / 700	48 / 465	48 / 620	48 / 775
6.5	Battery weight ⊙	kg		750	939	1119	750	950	1165

R2.0	Truck dimensions for different batteries		Battery type	C	C	C "Super"	C "Super"
	1.2	Manufacturer's type designation			R2.0	R2.0	R2.0
1.8	Load distance, centre of drive axle to fork	x (mm)		430	358	430	358
1.9	Wheelbase	y (mm)		1500	1500	1500	1500
2.1	Service weight	kg		3715	3878	3715	3878
2.3	Axle loading, unladen front/rear ←	kg		2329 / 1386	2327 / 1551	2329 / 1386	2327 / 1551
2.4	Axle loading fork advanced, laden front/rear	kg		672 / 5043	707 / 5171	672 / 5043	707 / 5171
2.5	Axle loading fork retracted, laden front/rear	kg		2054 / 3661	1927 / 3951	2054 / 3661	1927 / 3951
4.19	Overall length	l <sub>1</sub> (mm)		2451	2523	2451	2523
4.20	Length to face of forks	l <sub>2</sub> (mm)		1301	1373	1301	1373
4.21	Overall width ▣	b <sub>1</sub> /b <sub>2</sub> (mm)		1465	1465	1465	1465
4.23	Fork carriage ISO 2328, class/type A, B			2A	2A	2A	2A
4.24	Fork-carriage width	b <sub>3</sub> (mm)		900	900	900	900
4.25	Distance between fork-arms min/max ✖	b <sub>5</sub> (mm)		260 / 884	260 / 884	260 / 884	260 / 884
4.26	Distance between wheel arms/loading surfaces	b <sub>4</sub> (mm)		1095	1095	1095	1095
4.28	Reach distance	l <sub>4</sub> (mm)		613	541	613	541
4.34.1	Aisle width for pallets 1000mm x 1200mm crossways	A <sub>31</sub> (mm)		2792	2843	2792	2843
4.34.2	Aisle width for pallets 800mm x 1200mm lengthwise	A <sub>32</sub> (mm)		2832	2896	2832	2896
4.35	Turning radius	W <sub>9</sub> (mm)		1768	1768	1768	1768
6.3	Battery according to DIN 43531/35/36 A,B,C, no			C	C	C "Super"	C "Super"
6.4	Battery voltage/nominal capacity K5	(V)/(Ah)		48 / 560	48 / 700	48 / 620	48 / 775
6.5	Battery weight ⊙	kg		939	1119	950	1165

R1.6HD	Truck dimensions for different batteries		Battery type	C	C	C "Super"	C "Super"
	1.2	Manufacturer's type designation			R1.6HD	R1.6HD	R1.6HD
1.8	Load distance, centre of drive axle to fork	x (mm)		308	308	308	308
1.9	Wheelbase	y (mm)		1450	1450	1450	1450
2.1	Service weight	kg		4141	4304	4141	4304
2.3	Axle loading, unladen front/rear ←	kg		2502 / 1639	2468 / 1836	2502 / 1639	2468 / 1836
2.4	Axle loading fork advanced, laden front/rear	kg		1172 / 4568	929 / 4974	1172 / 4568	929 / 4974
2.5	Axle loading fork retracted, laden front/rear	kg		2215 / 3525	2077 / 3826	2215 / 3525	2077 / 3826
4.19	Overall length	l <sub>1</sub> (mm)		2523	2523	2523	2523
4.20	Length to face of forks	l <sub>2</sub> (mm)		1373	1373	1373	1373
4.21	Overall width ▣	b <sub>1</sub> /b <sub>2</sub> (mm)		1465	1465	1465	1465
4.23	Fork carriage ISO 2328, class/type A, B			2A	2A	2A	2A
4.24	Fork-carriage width	b <sub>3</sub> (mm)		900	900	900	900
4.25	Distance between fork-arms min/max ✖	b <sub>5</sub> (mm)		260 / 884	260 / 884	260 / 884	260 / 884
4.26	Distance between wheel arms/loading surfaces	b <sub>4</sub> (mm)		1095	1095	1095	1095
4.28	Reach distance	l <sub>4</sub> (mm)		491	491	491	491
4.34.1	Aisle width for pallets 1000mm x 1200mm crossways	A <sub>31</sub> (mm)		2834	2834	2834	2834
4.34.2	Aisle width for pallets 800mm x 1200mm lengthwise	A <sub>32</sub> (mm)		2896	2896	2896	2896
4.35	Turning radius	W <sub>9</sub> (mm)		1720	1720	1720	1720
6.3	Battery according to DIN 43531/35/36 A,B,C, no			C	C	C "Super"	C "Super"
6.4	Battery voltage/nominal capacity K5	(V)/(Ah)		48 / 560	48 / 700	48 / 620	48 / 775
6.5	Battery weight ⊙	kg		939	1119	950	1165

All values are nominal values and they are subject to tolerances. For further information, please contact the manufacturer. Hyster products might be subject to change without notice. Lift trucks illustrated may feature optional equipment. Values may vary with alternative configurations.

# BATTERY INFORMATION - EXTRA WIDE - R1.6, R2.0, R1.6HD

	Truck dimensions for different batteries	Battery type							
			C	C	C	C "Super"	C "Super"	C "Super"	
R1.6	1.2	Manufacturer's type designation	R1.6	R1.6	R1.6	R1.6	R1.6	R1.6	
	1.8	Load distance, centre of drive axle to fork	x (mm)	452	380	308	452	380	308
	1.9	Wheelbase	y (mm)	1450	1450	1450	1450	1450	1450
	2.1	Service weight	kg	3331	3506	3661	3331	3506	3661
	2.3	Axle loading, unladen front/rear ←	kg	2127 / 1204	2158 / 1348	2138 / 1523	2127 / 1204	2158 / 1348	2138 / 1523
	2.4	Axle loading fork advanced, laden front/rear	kg	630 / 4301	728 / 4378	740 / 4522	630 / 4301	728 / 4378	740 / 4522
	2.5	Axle loading fork retracted, laden front/rear	kg	1920 / 3011	1872 / 3234	1738 / 3523	1920 / 3011	1872 / 3234	1738 / 3523
	4.19	Overall length	l <sub>1</sub> (mm)	2379	2451	2523	2379	2451	2523
	4.20	Length to face of forks	l <sub>2</sub> (mm)	1229	1301	1373	1229	1301	1373
	4.21	Overall width $\square$	b <sub>1</sub> /b <sub>2</sub> (mm)	1665	1665	1665	1665	1665	1665
	4.23	Fork carriage ISO 2328, class/type A, B		2A	2A	2A	2A	2A	2A
	4.24	Fork-carriage width	b <sub>3</sub> (mm)	1100	1100	1100	1100	1100	1100
	4.25	Distance between fork-arms min/max ✖	b <sub>5</sub> (mm)	260 / 1078	260 / 1078	260 / 1078	260 / 1078	260 / 1078	260 / 1078
	4.26	Distance between wheel arms/loading surfaces	b <sub>4</sub> (mm)	1295	1295	1295	1295	1295	1295
	4.28	Reach distance	l <sub>4</sub> (mm)	635	563	491	635	563	491
	4.34.1	Aisle width for pallets 1000mm x 1200mm crossways	A <sub>31</sub> (mm)	2780	2830	2883	2780	2830	2883
	4.34.2	Aisle width for pallets 800mm x 1200mm lengthwise	A <sub>32</sub> (mm)	2815	2879	2945	2815	2879	2945
4.35	Turning radius	W <sub>6</sub> (mm)	1767	1767	1767	1767	1767	1767	
6.3	Battery according to DIN 43531/35/36 A,B,C, no		C	C	C	C "Super"	C "Super"	C "Super"	
6.4	Battery voltage/nominal capacity K5	(V)/(Ah)	48 / 420	48 / 560	48 / 700	48 / 465	48 / 620	48 / 775	
6.5	Battery weight $\odot$	kg	750	939	1119	750	950	1165	

	Truck dimensions for different batteries	Battery type					
			C	C	C "Super"	C "Super"	
R2.0	1.2	Manufacturer's type designation	R2.0	R2.0	R2.0	R2.0	
	1.8	Load distance, centre of drive axle to fork	x (mm)	430	358	430	358
	1.9	Wheelbase	y (mm)	1500	1500	1500	1500
	2.1	Service weight	kg	4041	4195	4041	4195
	2.3	Axle loading, unladen front/rear ←	kg	2573 / 1468	2553 / 1643	2573 / 1468	2553 / 1643
	2.4	Axle loading fork advanced, laden front/rear	kg	890 / 5152	895 / 5300	890 / 5152	895 / 5300
	2.5	Axle loading fork retracted, laden front/rear	kg	2293 / 3748	2134 / 4062	2293 / 3748	2134 / 4062
	4.19	Overall length	l <sub>1</sub> (mm)	2451	2523	2451	2523
	4.20	Length to face of forks	l <sub>2</sub> (mm)	1301	1373	1301	1373
	4.21	Overall width $\square$	b <sub>1</sub> /b <sub>2</sub> (mm)	1665	1665	1665	1665
	4.23	Fork carriage ISO 2328, class/type A, B		2A	2A	2A	2A
	4.24	Fork-carriage width	b <sub>3</sub> (mm)	1100	1100	1100	1100
	4.25	Distance between fork-arms min/max ✖	b <sub>5</sub> (mm)	260/1078	260/1078	260/1078	260/1078
	4.26	Distance between wheel arms/loading surfaces	b <sub>4</sub> (mm)	1295	1295	1295	1295
	4.28	Reach distance	l <sub>4</sub> (mm)	613	541	613	541
	4.34.1	Aisle width for pallets 1000mm x 1200mm crossways	A <sub>31</sub> (mm)	2840	2891	2840	2891
	4.34.2	Aisle width for pallets 800mm x 1200mm lengthwise	A <sub>32</sub> (mm)	2880	2944	2880	2944
4.35	Turning radius	W <sub>6</sub> (mm)	1812	1812	1812	1812	
6.3	Battery according to DIN 43531/35/36 A,B,C, no		C	C	C "Super"	C "Super"	
6.4	Battery voltage/nominal capacity K5	(V)/(Ah)	48 / 560	48 / 700	48 / 620	48 / 775	
6.5	Battery weight $\odot$	kg	939	1119	950	1165	

	Truck dimensions for different batteries	Battery type					
			C	C	C "Super"	C "Super"	
R1.6HD	1.2	Manufacturer's type designation	R1.6HD	R1.6HD	R1.6HD	R1.6HD	
	1.8	Load distance, centre of drive axle to fork	x (mm)	308	308	308	308
	1.9	Wheelbase	y (mm)	1450	1450	1450	1450
	2.1	Service weight	kg	4404	4559	4404	4559
	2.3	Axle loading, unladen front/rear ←	kg	2696 / 1708	2640 / 1918	2696 / 1708	2640 / 1918
	2.4	Axle loading fork advanced, laden front/rear	kg	1345 / 4659	1068 / 5090	1345 / 4659	1068 / 5090
	2.5	Axle loading fork retracted, laden front/rear	kg	2404 / 3600	2234 / 3924	2404 / 3600	2234 / 3924
	4.19	Overall length	l <sub>1</sub> (mm)	2523	2523	2523	2523
	4.20	Length to face of forks	l <sub>2</sub> (mm)	1373	1373	1373	1373
	4.21	Overall width $\square$	b <sub>1</sub> /b <sub>2</sub> (mm)	1665	1665	1665	1665
	4.23	Fork carriage ISO 2328, class/type A, B		2A	2A	2A	2A
	4.24	Fork-carriage width	b <sub>3</sub> (mm)	1100	1100	1100	1100
	4.25	Distance between fork-arms min/max ✖	b <sub>5</sub> (mm)	260/1078	260/1078	260/1078	260/1078
	4.26	Distance between wheel arms/loading surfaces	b <sub>4</sub> (mm)	1295	1295	1295	1295
	4.28	Reach distance	l <sub>4</sub> (mm)	491	491	491	491
	4.34.1	Aisle width for pallets 1000mm x 1200mm crossways	A <sub>31</sub> (mm)	2883	2883	2883	2883
	4.34.2	Aisle width for pallets 800mm x 1200mm lengthwise	A <sub>32</sub> (mm)	2945	2945	2945	2945
4.35	Turning radius	W <sub>6</sub> (mm)	1767	1767	1767	1767	
6.3	Battery according to DIN 43531/35/36 A,B,C, no		C	C	C "Super"	C "Super"	
6.4	Battery voltage/nominal capacity K5	(V)/(Ah)	48 / 560	48 / 700	48 / 620	48 / 775	
6.5	Battery weight $\odot$	kg	939	1119	950	1165	

All values are nominal values and they are subject to tolerances. For further information, please contact the manufacturer. Hyster products might be subject to change without notice. Lift trucks illustrated may feature optional equipment. Values may vary with alternative configurations.

## PRODUCT FEATURES

**The new tough Hyster® Reach Truck is designed for efficiency for operations at greater heights, with excellent stability, visibility, manoeuvrability and control. The all-new Reach Truck is built with the quality hallmarks of Hyster: tough, intelligent, dependable and efficient.**

### DEPENDABILITY

- New reach truck feature modular three piece design of frame, operator compartment and overhead guard.
- Completely welded stiff and strong base frame is available in 2 basic widths and 4 different lengths to match demanding applications requirements.
- The operator compartment is a one piece welded structure developed for long term durability.
- The new overhead guard design with oval shape pillar and a round inwards bended tube for standard truck models provides excellent visibility.
- New mast incorporates new unique Hyster designed profiles that reduce the total mast channel width.
- Dual CANbus technology reduces wiring complexity for increased reliability.
- Parts communality with other counterbalance trucks, with proven reliability and durability.
- Top and partially front protected load wheels with optional load wheel side cover reduce damage to the load wheel and increase the lifetime of Reach Truck.

### PRODUCTIVITY

- The new, improved Hyster traction motor gives powerful acceleration and an increased travel speed of up to 14km/h and the new mast deliver 0.8 metres per second lift speed up to 12.75 metres.
- Three different steering modes: 180 degree steering as standard and 360 degree steering as option with 180/360 degree steering switch option by push of the button.

- Comprehensive mast selection allows truck to be configured to the needs of the application.
- Full AC infrastructure on drive, traction and hydraulic motors allows seamless changes in direction of travel, increasing cycle speeds and the control of pallet handling operations.
- Adjustable speed reduction on cornering feature provides smooth load handling and precise direction control.
- TouchPoint™ mini lever module or new design Joystick with industry first fingertip mini joystick control for all hand controlled main hydraulic functions within hand reach position.
- Two different Drive-In overhead guard options with choice of standard or narrow chassis to specifically match the requirements of “Drive-in” applications and provide excellent manoeuvrability.
- ECO-eLo and HiP performance modes for application matching configurations.

### ERGONOMICS

- New operator compartment layout is optimised on ergonomics and operator space. The industry lowest 371mm step height provides improved ingress/ egress with 3 point contact.
- New pedal layout increases useful operator floor space with low resistance foot pedals positioned on slightly angled floor plate for most ergonomic foot position.
- The operator presence switch is slightly rotated to the mid line off the operator seat to improve operator left foot position.
- Two different seats Grammar MSG 20 and MSG 65 with additional options delivers even greater operator comfort.
- Additional lumbar support and the fully adjustable backrest angle (with a setting range from 5° to 30°) ensure optimum driver comfort throughout the shift.
- The steering column is adjustable in length in 10 positions for best ergonomic steering wheel position.

- In length adjustable right armrest to allow for best ergonomic hand control with integrated TouchPoint™ mini lever module or new designed Joystick with integrated mini lever joystick for all hand controlled main hydraulic functions within hand reach position.
- In front of operator positioned display to allow for easy reading without disturbing visibility.
- Several in dashboard integrated storage possibility, optional universal support bracket and clipboard provision.
- The drive wheel automatically moves to centre position when truck is switched on.
- New Mast with optimised lift cylinders position for increased visibility incorporates new unique profiles that reduce the total mast channel width.

#### **LOW COST OF OWNERSHIP**

- The new Hyster 6.4 kW traction motor gives powerful acceleration and an increased travel for superior performance and increased loads moves per hour.
- The ECO-eLo mode reduces the acceleration speed promoting efficient energy consumption difference of 5%.
- Regenerative braking dissipates the generated heat in the motor increasing the braking effect and reducing maintenance cost.
- Trucks are rated to IP65 standard, for protection against dust and water ingress.
- High level of parts communality with other Hyster products with proven reliability and durability for ease of maintenance

#### **SERVICEABILITY**

- Standard display provides most critical status of components and error codes. Industry first Reach Truck touch screen display offering regular software upgrades.
- Hinge door in the front of the truck provide full access to the motors, hydraulics and compartment for easy service and maintenance of all components.
- VCM (Vehicle Control Manager) and Dual CANbus technology facilitates identification of failures of components and wire harness.
- AC technology minimises the dependence on mechanical parts. This leads to a reduction in service costs over the lifetime of the truck
- 100% leak free quick (dis)connect hydraulic couplings to prevent any spillage when disconnecting for maintenance.
- Service interval for hydraulic oil and filter - 3000h, transmission oil change - 1000 h.
- Standard warranty – 24 month (4000 hours), extended warranty – 36 month (6000 hours).

# STRONG PARTNERS. TOUGH TRUCKS.™

## FOR DEMANDING OPERATIONS, EVERYWHERE.

Hyster supplies a complete range of warehouse equipment, IC and electric counterbalanced trucks, container handlers and reach stackers. Hyster is committed to being much more than a lift truck supplier.

Our aim is to offer a complete partnership capable of responding to the full spectrum of material handling issues: Whether you need professional consultancy on your fleet management, fully qualified service support, or reliable parts supply, you can depend on Hyster.

Our network of highly trained dealers provides expert, responsive local support. They can offer cost-effective finance packages and introduce effectively managed maintenance programmes to ensure that you get the best possible value. Our business is dealing with your material handling needs so you can focus on the success of your business today and in the future.



### HYSTER EUROPE

Centennial House, Frimley Business Park, Frimley, Surrey, GU16 7SG, England.

Tel: +44 (0) 1276 538500



[www.hyster.eu](http://www.hyster.eu)



[infoeurope@hyster.com](mailto:infoeurope@hyster.com)



[/HysterEurope](https://www.facebook.com/HysterEurope)




[@HysterEurope](https://twitter.com/HysterEurope)

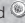


[/HysterEurope](https://www.youtube.com/HysterEurope)



HYSTER-YALE UK LIMITED trading as Hyster Europe. Registered Address: Centennial House, Building 4.5, Frimley Business Park, Frimley, Surrey, GU16 7SG, United Kingdom. Registered in England and Wales. Company Registration Number: 02636775.

HYSTER,  and FORTENS are registered trademarks in the European Union and certain other jurisdictions.

MONOTROL® is a registered trademark, and DURAMATCH and  are trademarks in the United States and in certain other jurisdictions.

Hyster products are subject to change without notice. Lift trucks illustrated may feature optional equipment.