

**STAMH<sup>®</sup>**

## MITO RACKING SYSTEMS





## General features

Boltless method, easy to assemble, vast range of accessories, economical, high quality epoxy paint finish or galvanized. Ideal for storage and filling areas. Shelving that is simply and rapidly assembled and dismantled. The boltless assembly method – consisting of a shelf, shelf carrier, and upright – eliminates the problems often experienced with bolted systems. These shelves can be used either as furnishing items or in complex storage systems for lightweight materials. Stairways and handrails are available when the system has more than one floor





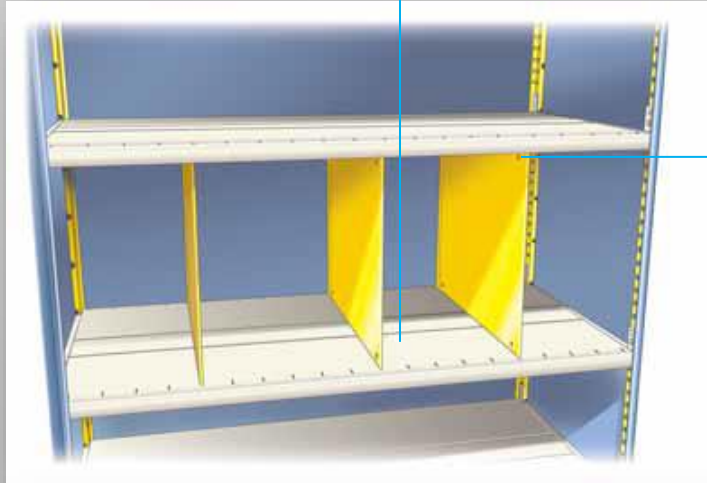
# STAMH®

The clip-fit assembly system is easy and fast to mount. MITO has vast range of accessories, and high-quality epoxy paint finish. Ideal for storage areas, distribution centers or even offices. The EURO 4 model, with its original clip system, is not only easily and rapidly assembled, but also extremely economical. Its' structure resembles MITO 3 model but has significant improvements;



## Components and accessories

Plane TS

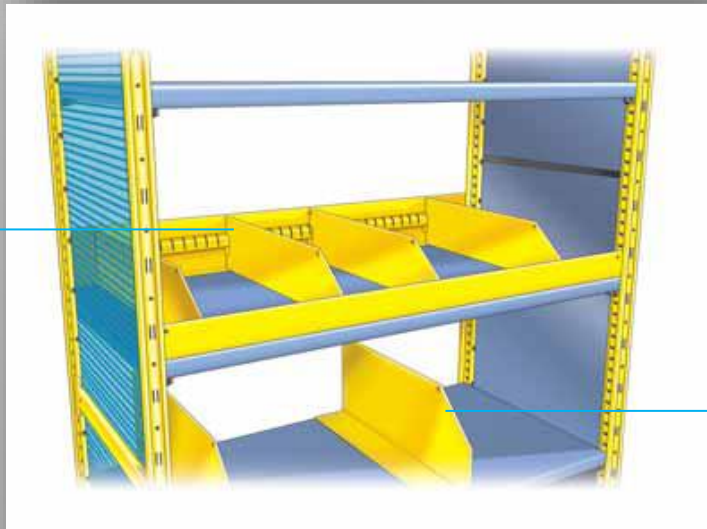


Vertical separators

EURO 4 shelf



Inclined separators



Movable separators



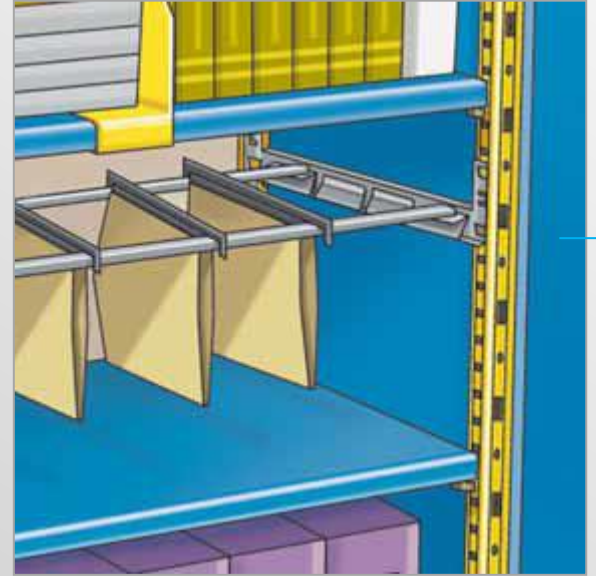
# STAMH®



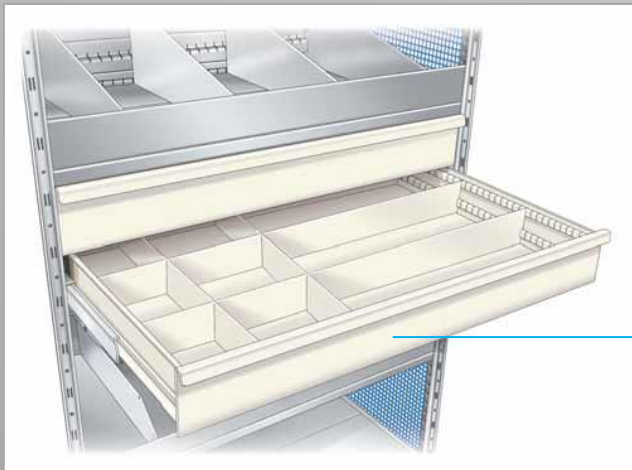
Mito crossbar



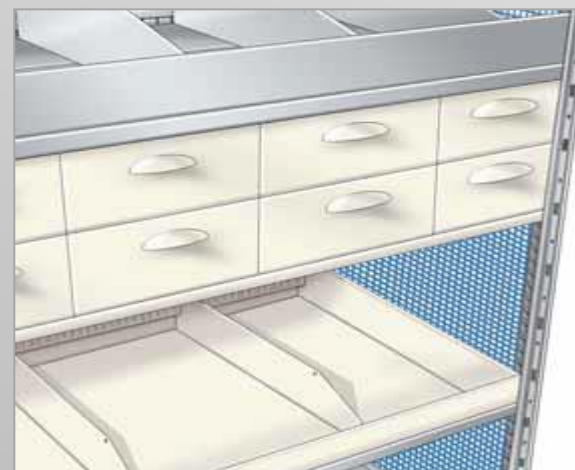
EURO hook



File rail



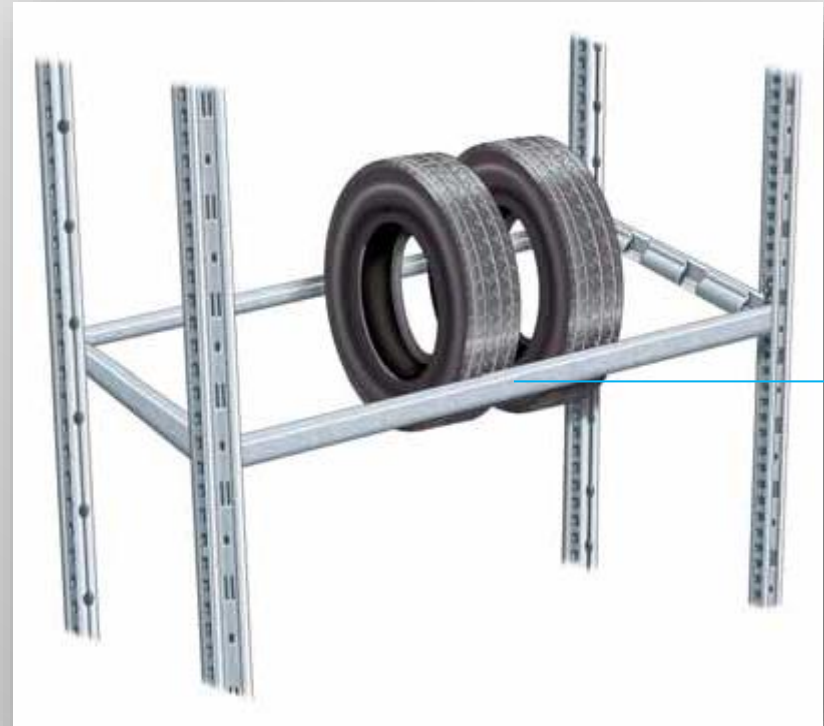
Separators for drawers



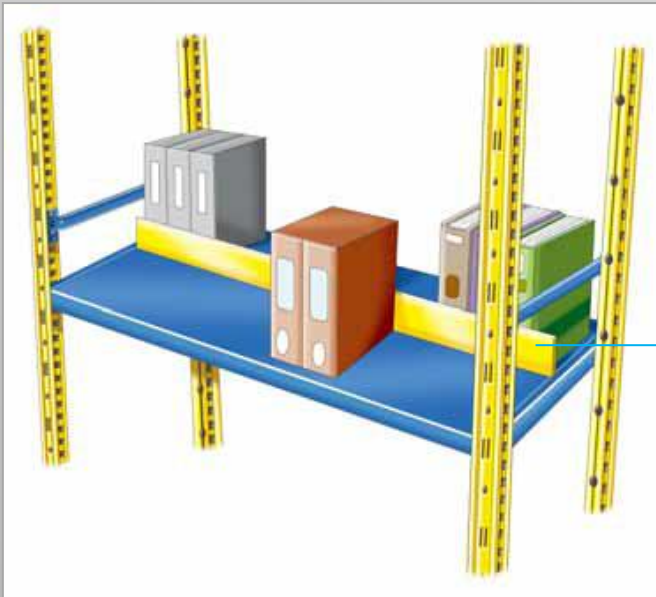
8 Drawer separators



Garment hanging rail



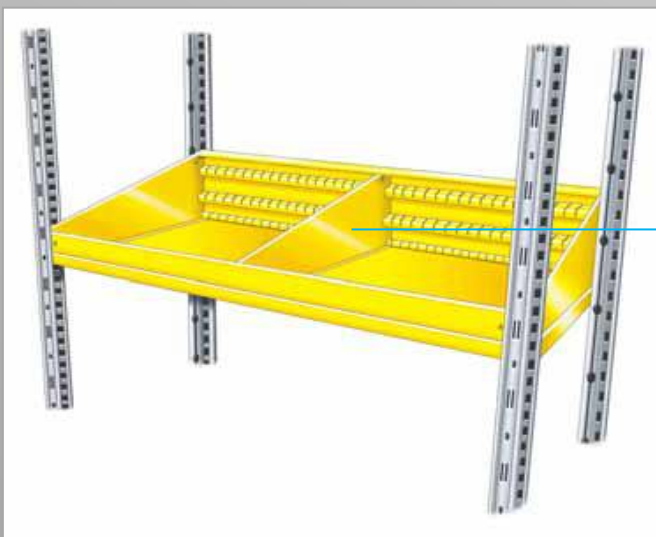
Tyre holder



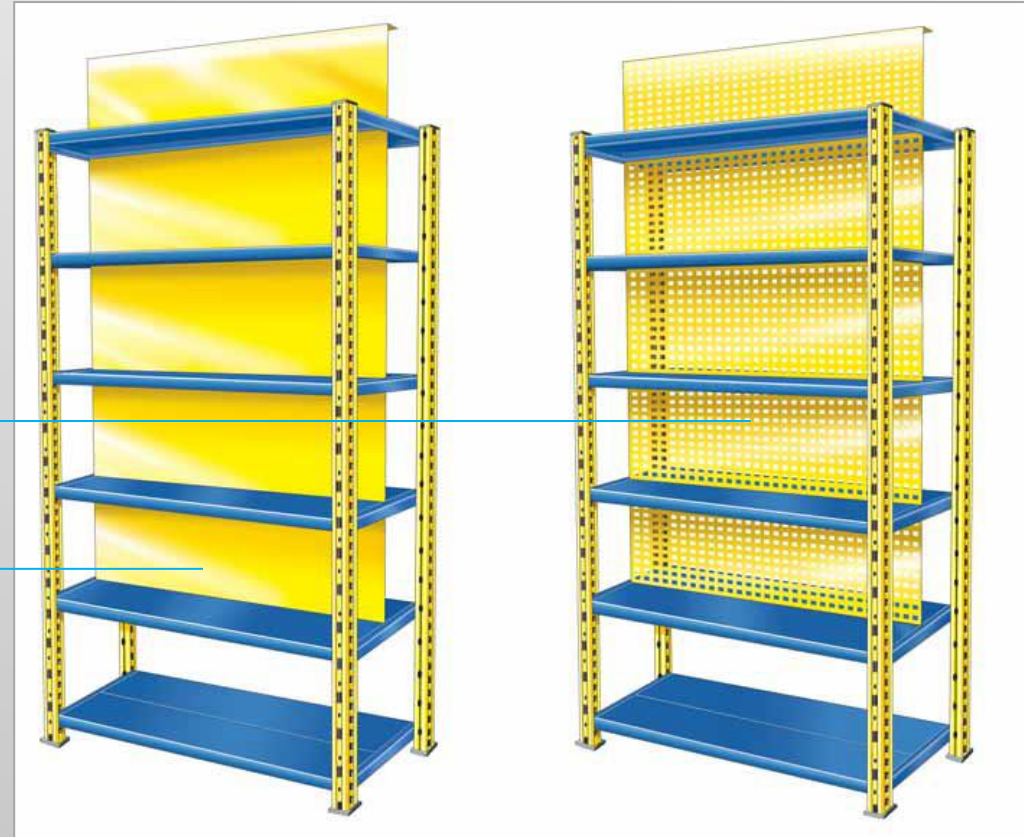
Central band

Dividing pierced wall

Dividing wall



Divider





Thank You for the attention!  
Don't hesitate to send us your questions and requests at  
[office@stamh.com](mailto:office@stamh.com)

[www.stamh.com](http://www.stamh.com)

STAMH Ltd., Ring Road, cross with 31 Yordan Bakalov Stubel Str.  
1404 Sofia, Bulgaria

---