

EURO CONTAINERS



STACKING CONTAINERS SERIES **ATHENA** page A3



STACKING CONTAINERS SERIES **RLKLT** page B1



STACKING CONTAINERS SERIES **RKLT** page B11



STACKING CONTAINERS SERIES **ODETTE** page C1



STACKING CONTAINERS SERIES **THEMA** page D1





STACKING CONTAINERS SERIES **GOLD BOX** page E3



STACKING CONTAINERS SERIES **SECURITY - SHELL** page E5



STACKING CONTAINERS SERIES **NETTUNO** page F1



STACKING CONTAINERS SERIES **MINERVA** page G1



STACKING CONTAINERS SERIES **DELTA** page H1



STACKING CONTAINERS SERIES

ATHENA

Special care went into the design and production of the Athena series polypropylene stacking containers. The edges and reinforcements were studied to give the stacking containers a structure that can withstand the heaviest loads. The Athena series stacking containers in the standard colour can also be used in the food industry.

The bottom and the sides of the containers series Athena can be solid or perforated. The series also includes a version with an inspection window and even the handles can be open or closed. The diverse combinations of these elements allow eight possible solutions, shown in the table below, that optimally satisfy many market requirements.

lifting

walls

LifTiNG hole



SOLiD side walls



LifTiNG bar



PERFORATED side walls



bottoms

reinforced bottom



solid bottom



perforated bottom



stacking container combinations

A0	B0	C0	D0	E0	F0	S0	R0
- solid side walls -	- solid side walls -	- perforated side walls -	- perforated side walls -	- perforated side walls -	- perforated side walls -	- solid side walls -	- solid side walls -
- lifting bars -	- lifting holes -	- lifting bars -	- lifting holes -	- lifting bars -	- lifting holes -	- lifting holes -	- lifting holes -
- solid bottom -	- solid bottom -	- solid bottom -	- solid bottom -	- perforated bottom -	- perforated bottom -	- solid bottom -	- solid bottom -

ATHENA

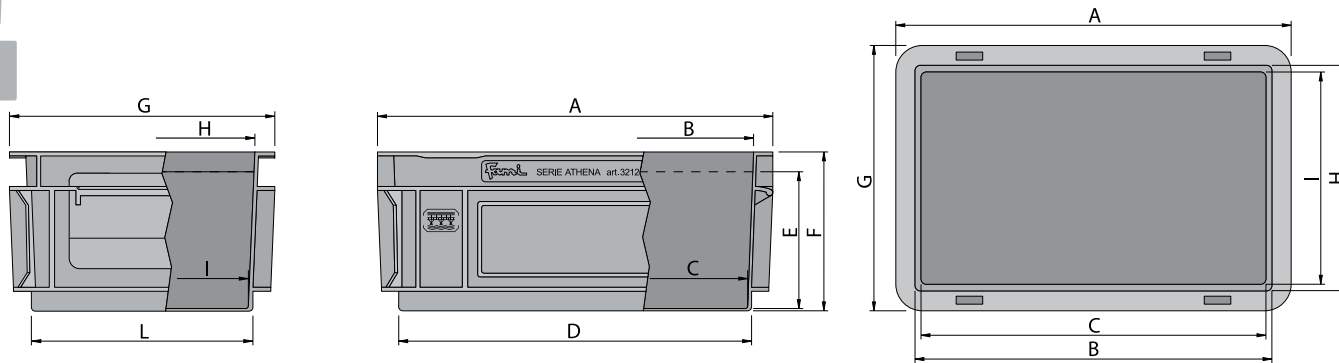
200x150 / 300x200

Made from **polypropylene**, the **Athena series 300x200** of stacking containers are the **perfect solution** for **storing small items**. They are available in **two different heights** and can be closed by the hinged cover.

OF GREY

container ORD. NO.	A	B	C	D	E	F	G	H	I	L
F PA 2251 A0 01	201	167	158	165	140	151	151	116	109	115
container ORD. NO.	A	B	C	D	E	F	G	H	I	L
F PA 2451 A0 01	298	268	259	268	102	120	199	168	161	168
F PA 2851 A0 01	298	267	259	267	151	170	198	166	160	167

A0 The technical data contained in the above table is approximate. FAMI S.r.l. reserves the right to make any modifications it sees fit to improve the performance and appearance of products. The manufacturer is not liable for any printing errors.



Detail of
SOLID
BOTTOM





SOLID BOTTOM



ORD. NO. F PA 2251 A0 01 -single

Measurements: 2115A

Standard colour: 01 grey ■

Weight gr.: 298

External nominal dim. mm: 200×150×150 h

Internal nominal dim. mm: 158×109×140 h

ORD. NO. FYA 2251 A0 01 -pallet

Weight of pallet kg: 152

Qty. Containers per pallet: 480 pcs.

Shipping dimensions mm: 1200×800×2280 h

ORD. NO. F PA 2451 A0 01 -single

Measurements: 3212A

Standard colour: 01 grey ■

Weight gr.: 432

External nominal dim. mm: 300×200×120 h

Internal nominal dim. mm: 259×161×102 h

ORD. NO. FYA 2451 A0 01 -pallet

Weight of pallet kg: 147

Qty. Containers per pallet: 320 pcs.

Shipping dimensions mm: 1200×800×2240 h

ORD. NO. F PA 2851 A0 01 -single

Measurements: 3217A

Standard colour: 01 grey ■

Weight gr.: 616

External nominal dim. mm: 300×200×170 h

Internal nominal dim. mm: 259×160×151 h

ORD. NO. FYA 2851 A0 01 -pallet

Weight of pallet kg: 137

Qty. Containers per pallet: 208 pcs.

Shipping dimensions mm: 1200×800×2150 h



SOLID BOTTOM



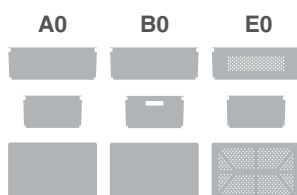
ACCESSORIES
PAGE
A23

ATHENA 400x300

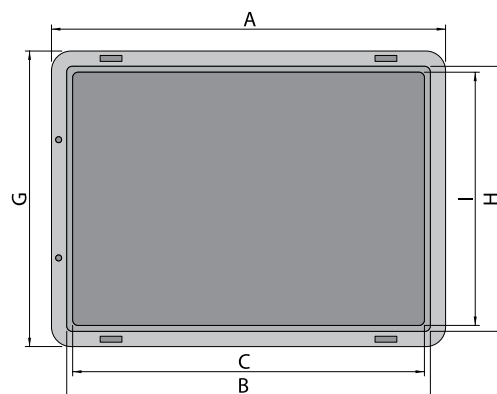
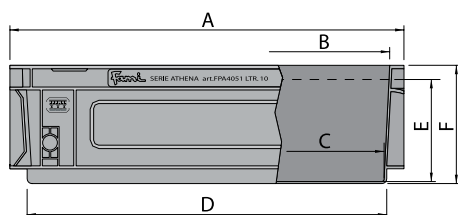
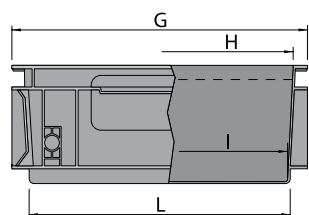
The **Athena** series container **400x300** mm are available in **6 models**, each with a **different height**. The **cover** can be **hinged, sliding or with a handle**.

OF GREY

container ORD. NO.	A	B	C	D	E	F	G	H	I	L
F PA 3251 A0 01	402	366	355	364	36	55	302	265	255	266
F PA 3651 A0 01	400	369	355	365	57	75	300	268	255	267
F PA 4051 A0 01	401	369	358	367	102	121	300	268	258	267
F PA 4151 A0 01	402	369	358	366	94	121	300	268	253	265
F PA 4051 E0 01	402	369	353	364	102	120	300	269	253	264
F PA 4451 A0 01	402	370	358	367	152	171	300	268	258	268
F PA 4551 A0 01	401	370	359	367	145	170	300	269	258	268
F PA 4851 A0 01	401	370	358	367	202	221	301	270	258	268
F PA 4851 B0 01	401	369	358	368	202	221	301	267	257	267
F PA 4951 B0 01	401	370	358	364	195	221	301	270	258	264
F PA 5251 A0 01	402	371	357	367	306	325	301	268	258	268
F PA 5251 B0 01	401	369	357	367	305	324	300	268	257	267



The technical data contained in the above table is approximate. FAMI S.r.l. reserves the right to make any modifications it sees fit to improve the performance and appearance of products. The manufacturer is not liable for any printing errors.



Detail of
SOLID
BOTTOM



Detail of
PERFORATED
BOTTOM



Detail of
REINFORCED
BOTTOM



*A reinforced bottom is available on all containers on request and with a minimum order quantity



SOLID BOTTOM

ORD. NO. F PA 3251 A0 01 -single

Measurements: 4305A

Standard colour: 01 grey ■

Weight gr.: 488

External nominal dim. mm: 400x300x55 h

Internal nominal dim. mm: 355x255x36 h

ORD. NO. F YA 3251 A0 01 -pallet

Weight of pallet kg: 165

Qty. Containers per pallet: 320 pcs.

Shipping dimensions mm: 1200x800x1730 h



SOLID BOTTOM

ORD. NO. F PA 3651 A0 01 -single

Measurements: 4308A

Standard colour: 01 grey ■

Weight gr.: 516

External nominal dim. mm: 400x300x75 h

Internal nominal dim. mm: 355x255x57 h

ORD. NO. F YA 3651 A0 01 -pallet

Weight of pallet kg: 133

Qty. Containers per pallet: 240 pcs.

Shipping dimensions mm: 1200x800x1960 h

ACCESSORIES
PAGE
A25



SOLID BOTTOM

ORD. NO. F PA 4051 A0 01 -single

Measurements: 4312A

Standard colour: 01 grey ■

Weight gr.: 782

External nominal dim. mm: 400x300x120 h

Internal nominal dim. mm: 358x258x102 h

ORD. NO. F YA 4051 A0 01 -pallet

Weight of pallet kg: 134

Qty. Containers per pallet: 160 pcs.

Shipping dimensions mm: 1200x800x2230 h



REINFORCED BOTTOM

ORD. NO. F PA 4151 A0 01 -single

Measurements: 4312A FR

Standard colour: 01 grey ■

Weight gr.: 876

External nominal dim. mm: 400x300x120 h

Internal nominal dim. mm: 358x253x94 h

ORD. NO. F YA 4151 A0 01 -pallet

Weight of pallet kg: 149

Qty. Containers per pallet: 160 pcs.

Shipping dimensions mm: 1200x800x2230 h



ORD. NO. F PA 4051 E0 01 -single

Measurements: 4312E

Standard colour: 01 grey ■

Weight gr.: 736

External nominal dim. mm: 400×300×120 h

Internal nominal dim. mm: 353×253×102 h

ORD. NO. F YA 4051 E0 01 -pallet

Weight of pallet kg: 127

Qty. Containers per pallet: 160 pcs.

Shipping dimensions mm: 1200×800×2230 h



ORD. NO. F PA 4451 A0 01 -single

Measurements: 4317A

Standard colour: 01 grey ■

Weight gr.: 1042

External nominal dim. mm: 400×300×170 h

Internal nominal dim. mm: 358×258×152 h

ORD. NO. F YA 4451 A0 01 -pallet

Weight of pallet kg: 117

Qty. Containers per pallet: 104 pcs.

Shipping dimensions mm: 1200×800×2150 h

PERFORATED BOTTOM



SOLID BOTTOM



ACCESSORIES
PAGE
A25





REINFORCED BOTTOM



ORD. NO. F PA 4551 A0 01 -single

Measurements: 4317A FR
Standard colour: 01 grey ■

Weight gr.: 1108
External nominal dim. mm: 400×300×170 h
Internal nominal dim. mm: 359×258×145 h

ORD. NO. F YA 4551 A0 01 -pallet

Weight of pallet kg: 124
Qty. Containers per pallet: 104 pcs.
Shipping dimensions mm: 1200×800×2150 h



SOLID BOTTOM



ORD. NO. F PA 4851 A0 01 -single

Measurements: 4322A
Standard colour: 01 grey ■

Weight gr.: 1284
External nominal dim. mm: 400×300×220 h
Internal nominal dim. mm: 358×258×202 h

ORD. NO. F YA 4851 A0 01 -pallet

Weight of pallet kg: 112
Qty. Containers per pallet: 80 pcs.
Shipping dimensions mm: 1200×800×2200 h



SOLID BOTTOM



ORD. NO. F PA 4851 B0 01 -single

Measurements: 4322B
Standard colour: 01 grey ■

Weight gr.: 1230
External nominal dim. mm: 400×300×220 h
Internal nominal dim. mm: 358×257×202 h

ORD. NO. F YA 4851 B0 01 -pallet

Weight of pallet kg: 107
Qty. Containers per pallet: 80 pcs.
Shipping dimensions mm: 1200×800×2200 h



REINFORCED BOTTOM



ORD. NO. F PA 4951 B0 01 -single

Measurements: 4322B FR
Standard colour: 01 grey ■

Weight gr.: 1330
External nominal dim. mm: 400×300×220 h
Internal nominal dim. mm: 358×258×195 h

ORD. NO. F YA 4951 B0 01 -pallet

Weight of pallet kg: 115
Qty. Containers per pallet: 80 pcs.
Shipping dimensions mm: 1200×800×2200 h



SOLID BOTTOM



ORD. NO. F PA 5251 A0 01 -single

Measurements: 4332A
Standard colour: 01 grey ■

Weight gr.: 1852
External nominal dim. mm: 400×300×325 h
Internal nominal dim. mm: 357×258×306 h

ORD. NO. F YA 5251 A0 01 -pallet

Weight of pallet kg: 113
Qty. Containers per pallet: 56 pcs.
Shipping dimensions mm: 1200×800×2300 h



SOLID BOTTOM



ORD. NO. F PA 5251 B0 01 -single

Measurements: 4332B
Standard colour: 01 grey ■

Weight gr.: 1728
External nominal dim. mm: 400×300×325 h
Internal nominal dim. mm: 357×257×305 h

ORD. NO. F YA 5251 B0 01 -pallet

Weight of pallet kg: 106
Qty. Containers per pallet: 56 pcs.
Shipping dimensions mm: 1200×800×2300 h

ATHENA 600x400

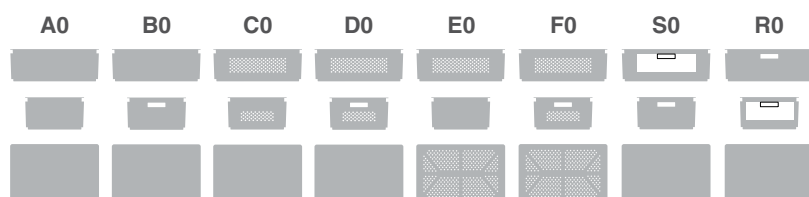
The **Athena** series containers **600x400** are manufactured in **multiple versions**, suitable for **every need**: Open or closed handgrips, solid or perforated bottom and sides, inspection window on the side (only for **F PA 8051 S0 01**) and the end (only for **F PA 8051 R0 01**).

Available **accessories**: Covers, **dividers** and **internal containers**.

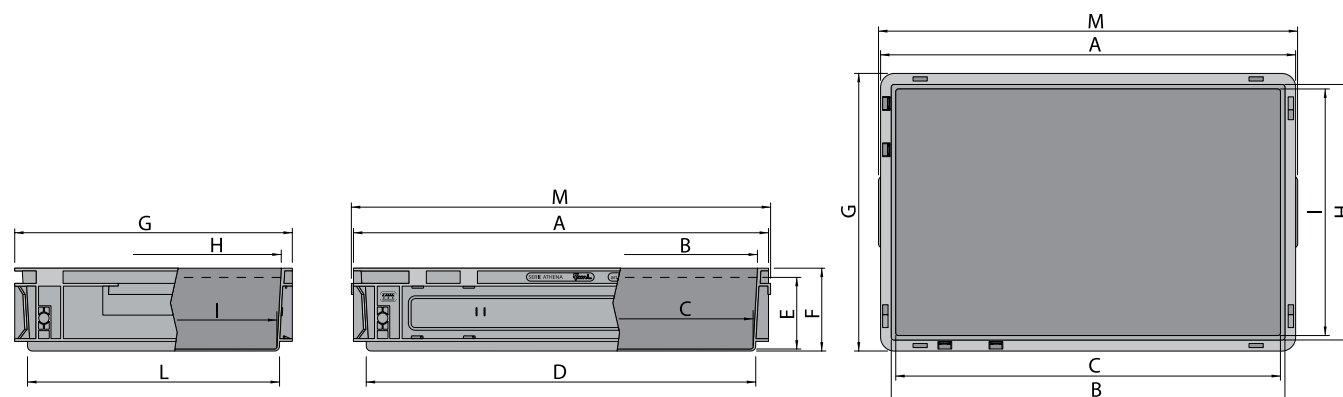


OF GREY

container ORD. NO.	A	B	C	D	E	F	G	H	I	L	M
F PA 5651 A0 01	602	566	555	563	58	77	404	366	355	364	606
F PA 6051 A0 01	601	569	558	567	101	121	402	369	356	366	601
F PA 6151 A0 01	602	570	554	565	95	121	402	370	354	365	601
F PA 6051 C0 01	601	569	557	566	102	121	402	370	357	366	601
F PA 6051 E0 01	601	569	557	565	101	120	401	369	356	365	601
F PA 6451 A0 01	603	570	556	567	151	171	402	369	357	366	603
F PA 6551 A0 01	602	571	559	566	137	171	402	370	359	365	601
F PA 6851 A0 01	602	570	557	567	201	221	402	369	356	366	603
F PA 6851 B0 01	601	568	556	566	201	221	401	370	356	366	604
F PA 6951 B0 01	602	571	558	567	186	222	405	371	357	367	607
F PA 6851 F0 01	602	570	555	564	199	221	401	370	355	364	605
F PA 7251 A0 01	603	571	556	565	262	281	401	370	357	365	608
F PA 7251 B0 01	600	569	556	565	262	280	400	369	356	364	605
F PA 7351 B0 01	603	572	558	566	251	281	401	369	357	365	603
F PA 7651 A0 01	603	571	558	566	307	326	402	371	356	365	603
F PA 7651 B0 01	602	570	557	567	307	326	402	371	357	365	607
F PA 7751 B0 01	603	570	558	567	294	328	402	371	358	367	608
F PA 7651 D0 01	602	570	558	567	307	326	402	371	358	366	605
F PA 8051 B0 01	603	573	558	568	413	431	401	370	358	367	603
F PA 8051 D0 01	603	573	558	566	411	430	401	368	358	366	605
F PA 8051 S0 01	602	572	557	566	411	430	401	369	356	365	601
F PA 8051 R0 01	603	573	558	567	412	431	401	370	358	366	602



The technical data contained in the above table is approximate. FAMI S.r.l. reserves the right to make any modifications it sees fit to improve the performance and appearance of products. The manufacturer is not liable for any printing errors.



*A reinforced bottom is available on all containers on request and with a minimum order quantity

MANFROTTO



SOLID BOTTOM

ORD. NO. F PA 5651 A0 01 -single

Measurements: 6408A

Standard colour: 01 grey ■

Weight gr.: 1312

External nominal dim. mm: 600×400×75 h

Internal nominal dim. mm: 555×355×58 h

ORD. NO. F YA 5651 A0 01 -pallet

Weight of pallet kg: 166

Qty. Containers per pallet: 120 pcs.

Shipping dimensions mm: 1200×800×1970 h



SOLID BOTTOM

ORD. NO. F PA 6051 A0 01 -single

Measurements: 6412A

Standard colour: 01 grey ■

Weight gr.: 1636

External nominal dim. mm: 600×400×120 h

Internal nominal dim. mm: 558×356×101 h

ORD. NO. F YA 6051 A0 01 -pallet

Weight of pallet kg: 140

Qty. Containers per pallet: 80 pcs.

Shipping dimensions mm: 1200×800×2240 h



REINFORCED BOTTOM



ORD. NO. F PA 6151 A0 01 -single

Measurements: 6412A FR
Standard colour: 01 grey ■

Weight gr.: 1690
External nominal dim. mm: 600x400x120 h
Internal nominal dim. mm: 554x354x95 h

ORD. NO. F YA 6151 A0 01 -pallet

Weight of pallet kg: 144
Qty. Containers per pallet: 80 pcs.
Shipping dimensions mm: 1200x800x2240 h



SOLID BOTTOM



ORD. NO. F PA 6051 C0 01 -single

Measurements: 6412C
Standard colour: 01 grey ■

Weight gr.: 1624
External nominal dim. mm: 600x400x120 h
Internal nominal dim. mm: 557x357x102 h

ORD. NO. F YA 6051 C0 01 -pallet

Weight of pallet kg: 139
Qty. Containers per pallet: 80 pcs.
Shipping dimensions mm: 1200x800x2240 h



PERFORATED BOTTOM



ORD. NO. F PA 6051 E0 01 -single

Measurements: 6412E
Standard colour: 01 grey ■

Weight gr.: 1460
External nominal dim. mm: 600x400x120 h
Internal nominal dim. mm: 557x356x101 h

ORD. NO. F YA 6051 E0 01 -pallet

Weight of pallet kg: 126
Qty. Containers per pallet: 80 pcs.
Shipping dimensions mm: 1200x800x2240 h



SOLID BOTTOM



ORD. NO. F PA 6451 A0 01 -single

Measurements: 6417A
Standard colour: 01 grey ■

Weight gr.: 2134
External nominal dim. mm: 600x400x170 h
Internal nominal dim. mm: 556x357x151 h

ORD. NO. F YA 6451 A0 01 -pallet

Weight of pallet kg: 129
Qty. Containers per pallet: 56 pcs.
Shipping dimensions mm: 1200x800x2330 h



REINFORCED BOTTOM



ORD. NO. F PA 6551 A0 01 -single

Measurements: 6417A FR
Standard colour: 01 grey ■

Weight gr.: 2266
External nominal dim. mm: 600x400x170 h
Internal nominal dim. mm: 559x359x137 h

ORD. NO. F YA 6551 A0 01 -pallet

Weight of pallet kg: 136
Qty. Containers per pallet: 56 pcs.
Shipping dimensions mm: 1200x800x2330 h



SOLID BOTTOM



ORD. NO. F PA 6851 A0 01 -single

Measurements: 6422A
Standard colour: 01 grey ■

Weight gr.: 2586
External nominal dim. mm: 600x400x220 h
Internal nominal dim. mm: 557x356x201 h

ORD. NO. F YA 6851 A0 01 -pallet

Weight of pallet kg: 112
Qty. Containers per pallet: 40 pcs.
Shipping dimensions mm: 1200x800x2200 h



SOLID BOTTOM

ORD. NO. F PA 6851 B0 01 -single

Measurements: 6422B
Standard colour: 01 grey ■

Weight gr.: 2518
External nominal dim. mm: 600x400x220 h
Internal nominal dim. mm: 556x356x201 h

ORD. NO. F YA 6851 B0 01 -pallet

Weight of pallet kg: 110
Qty. Containers per pallet: 40 pcs.
Shipping dimensions mm: 1200x800x2200 h



REINFORCED BOTTOM

ORD. NO. F PA 6951 B0 01 -single

Measurements: 6422B FR
Standard colour: 01 grey ■

Weight gr.: 2666
External nominal dim. mm: 600x400x220 h
Internal nominal dim. mm: 558x357x186 h

ORD. NO. F YA 6951 B0 01 -pallet

Weight of pallet kg: 116
Qty. Containers per pallet: 40 pcs.
Shipping dimensions mm: 1200x800x2200 h



PERFORATED BOTTOM

ORD. NO. F PA 6851 F0 01 -single

Measurements: 6422F
Standard colour: 01 grey ■

Weight gr.: 2424
External nominal dim. mm: 600x400x220 h
Internal nominal dim. mm: 555x355x199 h

ORD. NO. F YA 6851 F0 01 -pallet

Weight of pallet kg: 106
Qty. Containers per pallet: 40 pcs.
Shipping dimensions mm: 1200x800x2200 h



SOLID BOTTOM

ORD. NO. F PA 7251 A0 01 -single

Measurements: 6428A
Standard colour: 01 grey ■

Weight gr.: 2866
External nominal dim. mm: 600x400x280 h
Internal nominal dim. mm: 556x357x262 h

ORD. NO. F YA 7251 A0 01 -pallet

Weight of pallet kg: 101
Qty. Containers per pallet: 32 pcs.
Shipping dimensions mm: 1200x800x2270 h



ACCESSORIES
PAGE
A29
VIMAR



SOLID BOTTOM



ORD. NO. F PA 7251 B0 01 -single

Measurements: 6428B

Standard colour: 01 grey ■

Weight gr.: 2762

External nominal dim. mm: 600×400×280 h

Internal nominal dim. mm: 556×356×262 h

ORD. NO. F YA 7251 B0 01 -pallet

Weight of pallet kg: 97

Qty. Containers per pallet: 32 pcs.

Shipping dimensions mm: 1200×800×2270 h

ORD. NO. F PA 7351 B0 01 -single

Measurements: 6428B FR

Standard colour: 01 grey ■

Weight gr.: 2968

External nominal dim. mm: 600×400×280 h

Internal nominal dim. mm: 558×357×251 h

ORD. NO. F YA 7351 B0 01 -pallet

Weight of pallet kg: 104

Qty. Containers per pallet: 32 pcs.

Shipping dimensions mm: 1200×800×2270 h



REINFORCED BOTTOM



ORD. NO. F PA 7651 A0 01 -single

Measurements: 6432A

Standard colour: 01 grey ■

Weight gr.: 3170

External nominal dim. mm: 600×400×325 h

Internal nominal dim. mm: 558×356×307 h

ORD. NO. F YA 7651 A0 01 -pallet

Weight of pallet kg: 98

Qty. Containers per pallet: 28 pcs.

Shipping dimensions mm: 1200×800×2300 h



SOLID BOTTOM



ACCESSORIES
PAGE
A29





SOLID BOTTOM



ORD. NO. F PA 7651 B0 01 **-single**
 Measurements: 6432B
 Standard colour: 01 grey ■

Weight gr.: 3228
 External nominal dim. mm: 600×400×325 h
 Internal nominal dim. mm: 557×357×307 h

ORD. NO. FYA 7651 B0 01 **-pallet**
 Weight of pallet kg: 99
 Qty. Containers per pallet: 28 pcs.
 Shipping dimensions mm: 1200×800×2300 h



REINFORCED BOTTOM



ORD. NO. F PA 7751 B0 01 **-single**
 Measurements: 6432B FR
 Standard colour: 01 grey ■

Weight gr.: 3500
 External nominal dim. mm: 600×400×325 h
 Internal nominal dim. mm: 558×358×294 h

ORD. NO. FYA 7751 B0 01 **-pallet**
 Weight of pallet kg: 107
 Qty. Containers per pallet: 28 pcs.
 Shipping dimensions mm: 1200×800×2300 h



SOLID BOTTOM



ORD. NO. F PA 7651 D0 01 **-single**
 Measurements: 6432D
 Standard colour: 01 grey ■

Weight gr.: 2968
 External nominal dim. mm: 600×400×325 h
 Internal nominal dim. mm: 558×358×307 h

ORD. NO. FYA 7651 D0 01 **-pallet**
 Weight of pallet kg: 92
 Qty. Containers per pallet: 28 pcs.
 Shipping dimensions mm: 1200×800×2300 h



SOLID BOTTOM



ORD. NO. F PA 8051 B0 01 -single

Measurements: 6443B

Standard colour: 01 grey ■

Weight gr.: 3752

External nominal dim. mm: 600×400×430 h

Internal nominal dim. mm: 558×358×413 h

ORD. NO. F YA 8051 B0 01 -pallet

Weight of pallet kg: 84

Qty. Containers per pallet: 20 pcs.

Shipping dimensions mm: 1200×800×2200 h



SOLID BOTTOM



ORD. NO. F PA 8051 D0 01 -single

Measurements: 6443D

Standard colour: 01 grey ■

Weight gr.: 3502

External nominal dim. mm: 600×400×430 h

Internal nominal dim. mm: 558×358×411 h

ORD. NO. F YA 8051 D0 01 -pallet

Weight of pallet kg: 79

Qty. Containers per pallet: 20 pcs.

Shipping dimensions mm: 1200×800×2200 h



SOLID BOTTOM



ORD. NO. F PA 8051 S0 01 -single

Measurements: 6443S

Standard colour: 01 grey ■

Weight gr.: 3626

External nominal dim. mm: 600×400×430 h

Internal nominal dim. mm: 557×356×411 h

ORD. NO. F YA 8051 S0 01 -pallet

Weight of pallet kg: 82

Qty. Containers per pallet: 20 pcs.

Shipping dimensions mm: 1200×800×2200 h



SOLID BOTTOM



ORD. NO. F PA 8051 R0 01 **-single**

Measurements: 6443R

Standard colour: 01 grey ■

Weight gr.: 3746

External nominal dim. mm: 600×400×430 h

Internal nominal dim. mm: 558×358×412 h

ORD. NO. F YA 8051 R0 01 **-pallet**

Weight of pallet kg: 84

Qty. Containers per pallet: 20 pcs.

Shipping dimensions mm: 1200×800×2200 h



ATHENA

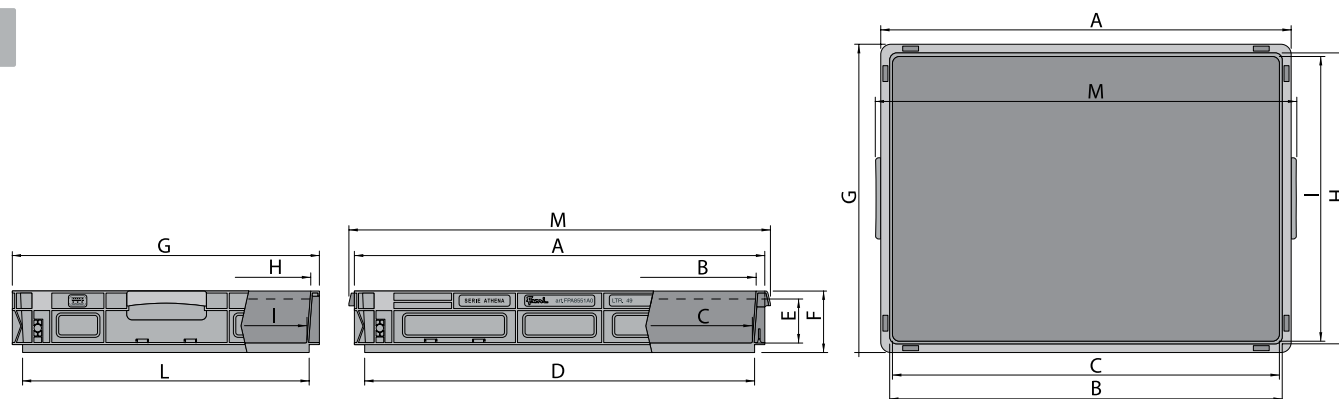
800x600

Ideal for **containing** and **storing bulky material**, the series **Athena** stacking containers are available in the standard **800x600** size with **5 various heights**.

OF GREY

container ORD. NO.	A	B	C	D	E	F	G	H	I	L	M
F PA 8551 A0 01	804	770	755	764	85	121	605	568	554	563	824
F PA 8751 A0 01	803	769	754	763	135	173	602	568	554	563	818
F PA 8951 A0 01	805	770	755	764	186	222	603	567	554	562	820
F PA 9351 A0 01	804	771	756	764	293	329	603	569	554	563	820
F PA 9751 A0 01	803	770	755	763	392	429	602	568	553	562	817

A0 The technical data contained in the above table is approximate. FAMI S.r.l. reserves the right to make any modifications it sees fit to improve the performance and appearance of products. The manufacturer is not liable for any printing errors.



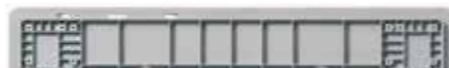
Detail of
**REINFORCED
BOTTOM**



*A smooth bottom is available on all containers on request and with a minimum order quantity



REINFORCED BOTTOM



ORD. NO. F PA 8551 A0 01 -single

Measurements: 8612A FR

Standard colour: 01 grey ■

Weight gr.: 3458

External nominal dim. mm: 800×600×120 h

Internal nominal dim. mm: 755×554×85 h

ORD. NO. F YA 8551 A0 01 -pallet

Weight of pallet kg: 147

Qty. Containers per pallet: 40 pcs.

Shipping dimensions mm: 1200×800×2300 h



REINFORCED BOTTOM



ORD. NO. F PA 8751 A0 01 -single

Measurements: 8617A FR

Standard colour: 01 grey ■

Weight gr.: 3804

External nominal dim. mm: 800×600×170 h

Internal nominal dim. mm: 754×554×135 h

ORD. NO. F YA 8751 A0 01 -pallet

Weight of pallet kg: 116

Qty. Containers per pallet: 28 pcs.

Shipping dimensions mm: 1200×800×2300 h



REINFORCED BOTTOM



ORD. NO. F PA 8951 A0 01 -single

Measurements: 8622A FR

Standard colour: 01 grey ■

Weight gr.: 4588

External nominal dim. mm: 800×600×220 h

Internal nominal dim. mm: 755×554×186 h

ORD. NO. F YA 8951 A0 01 -pallet

Weight of pallet kg: 101

Qty. Containers per pallet: 20 pcs.

Shipping dimensions mm: 1200×800×2200 h



REINFORCED BOTTOM



ORD. NO. F PA 9351 A0 01 -single

Measurements: 8632A FR

Standard colour: 01 grey ■

Weight gr.: 5422

External nominal dim. mm: 800×600×325 h

Internal nominal dim. mm: 756×554×293 h

ORD. NO. F YA 9351 A0 01 -pallet

Weight of pallet kg: 85

Qty. Containers per pallet: 14 pcs.

Shipping dimensions mm: 1200×800×2320 h



ACCESSORIES
PAGE
A33



REINFORCED BOTTOM



ORD. NO. F PA 9751 A0 01 -single

Measurements: 8643A FR

Standard colour: 01 grey ■

Weight gr.: 6238

External nominal dim. mm: 800×600×430 h

Internal nominal dim. mm: 755×553×392 h

ORD. NO. F YA 9751 A0 01 -pallet

Weight of pallet kg: 71

Qty. Containers per pallet: 10 pcs.

Shipping dimensions mm: 1200×800×2230 h

CONTAINER SUPPLIED ASSEMBLED

container including 1 set of four feet



ORD. NO.	Dimensions mm	Capacity litres
F PA 8551 AD 01	800x600x220 h	49
Measurements	8612A-P	
With 120 mm high container		

ORD. NO.	Dimensions mm	Capacity litres
F PA 8751 AD 01	800x600x270 h	69
Measurements	8617A-P	
With 170 mm high container		

ORD. NO.	Dimensions mm	Capacity litres
F PA 8951 AD 01	800x600x320 h	90
Measurements	8622A-P	
With 220 mm high container		

ORD. NO.	Dimensions mm	Capacity litres
F PA 9351 AD 01	800x600x425 h	130
Measurements	8632A-P	
With 325 mm high container		

ORD. NO.	Dimensions mm	Capacity litres
F PA 9751 AD 01	800x600x530 h	175
Measurements	8643A-P	
With 430 mm high container		

container including 1 set of four feet and 1 pair of connection pieces



ORD. NO.	Dimensions mm	Capacity litres
F PA 8551 AE 01	800x600x245 h	49
Measurements	8612A-T	
With 120 mm high container		

ORD. NO.	Dimensions mm	Capacity litres
F PA 8751 AE 01	800x600x295 h	69
Measurements	8617A-T	
With 170 mm high container		

ORD. NO.	Dimensions mm	Capacity litres
F PA 8951 AE 01	800x600x345 h	90
Measurements	8622A-T	
With 220 mm high container		

ORD. NO.	Dimensions mm	Capacity litres
F PA 9351 AE 01	800x600x450 h	130
Measurements	8632A-T	
With 325 mm high container		

ORD. NO.	Dimensions mm	Capacity litres
F PA 9751 AE 01	800x600x555 h	175
Measurements	8643A-T	
With 430 mm high container		

container including 1 set of four Ø 100 mm rubber swivel wheels



ORD. NO.	Dimensions mm	Capacity litres
F PA 8551 AF 01	800x600x245 h	49
Measurements	8612A-R	
With 120 mm high container		

ORD. NO.	Dimensions mm	Capacity litres
F PA 8751 AF 01	800x600x295 h	69
Measurements	8617A-R	
With 170 mm high container		

ORD. NO.	Dimensions mm	Capacity litres
F PA 8951 AF 01	800x600x345 h	90
Measurements	8622A-R	
With 220 mm high container		

ORD. NO.	Dimensions mm	Capacity litres
F PA 9351 AF 01	800x600x450 h	130
Measurements	8632A-R	
With 325 mm high container		

ORD. NO.	Dimensions mm	Capacity litres
F PA 9751 AF 01	800x600x555 h	175
Measurements	8643A-R	
With 430 mm high container		



The containers can be stacked thanks to the 4 feet which enter inside the container below



The 2 connection pieces allow the containers to be stacked



The containers can be stacked thanks to the 4 wheels which enter inside the container below



ACCESSORIES
ATHENA
300x200



LIDS



HINGED LID



ORD. NO.	Hinged lid mm
F PA 0351 00 01	300x200
Weight gr.	150

01 GREY

CLOSING SYSTEMS

The covers for the Athena series of stacking containers can be closed with nylon kick-in locks.



CLOSED
AND
SEALED

ORD. NO.	Pair of sliding hooks suitable for Athena series containers
F PZ 0681 00 13	

13 WHITE

METAL CLIPS

These metal clips can be snapped into the long or short sides of the Athena stacking containers and are used to keep documents in place.



ORD. NO.	DIM. mm
F PZ 0010 00 99	75x20x20



example of metal clip use

SPECIAL LABELS

Page Q1



fitting the metal clip

99 HOT GALVANISED

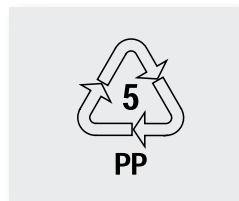


A24

ACCESSORIES
ATHENA
400x300



LIDS



HINGED LID



LID WITH HANDLES



SLIDING LID

the cover cannot be used on containers in the shelving system F TR



ORD. NO.	Hinged lid mm
F PA 0651 00 01	400x300
Weight gr.	340

ORD. NO.	Lid with handles mm
F PA 1B51 00 01	400x300
Weight gr.	322

ORD. NO.	Sliding lid mm
F PA 1651 00 01	400x300
Weight gr.	328

not suitable
for ORD. NO.
F PA 3251 A0 01

01 GREY

CLOSING SYSTEMS

The **covers** for the **Athena** series of stacking containers can be **closed** with **nylon kick-in locks**.



**CLOSED
AND
SEALED**

ORD. NO.	Pair of sliding hooks suitable for Athena series containers
F PZ 0681 00 13	

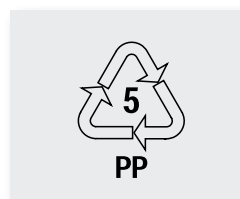
13 WHITE

LABEL HOLDER

On the **Athena** series containers, it is possible to **insert** labels attaching a **black polypropylene frame** in the available grooves. The **label holder** for the **Athena** series is available in **400x300** size with a **window**.



ORD. NO.	DIM. mm
F PZ 9551 00 07	150x85



LABEL SHEET

ORD. NO.	Label Dim. mm
F PZ 0920 00 00	145x81
Sheet with 4 labels	

**EXCLUDING
Athena Ord. No.**

F PA 3251 A0 01 - F PA 3651 A0 01 - F PA 4051 A0 01
F PA 4151 A0 01 - F PA 4051 E0 01

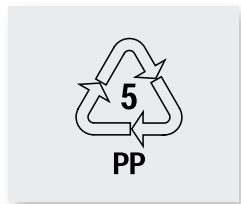
SPECIAL LABELS

Page Q1

07 BLACK

A26

SUB-DIVIDING CONTAINERS



These **sub-dividing containers separate** the **Athena** series **400x300 mm** stacking containers into two or more compartments **as required**.

They are fitted with a **dust proof transparent cover** with a **grip for lifting** and which allows the containers to be stacked.



SUBDIVIDING CASES

ORD. NO.	External DIM. mm
F PP 4051 00 01	256x178x90 h

ORD. NO.	External DIM. mm
F PP 4551 00 01	256x178x90 h



stacking container divided with
1 ORD. NO. F PP 4051 00 01
1 ORD. NO. F PP 4551 00 01



stacking container divided with
1 ORD. NO. F PP 4051 00 01
1 ORD. NO. F PP 5051 00 01

ORD. NO.	External DIM. mm
F PP 5051 00 01	256x178x90 h

ORD. NO.	External DIM. mm
F PP 9368 00 96	256x178 h



stacking container divided with
1 ORD. NO. F PP 4551 00 01
1 ORD. NO. F PP 5051 00 01

96 TRANSPARENT

OF GREY

METAL CLIPS

These metal clips can be **snapped** into the long or short sides of the **Athena** stacking containers and are used to **keep documents in place**.



ORD. NO.	DIM. mm
F PZ 0010 00 99	75x20x20 h

example of **metal clip use**

fitting the **metal clip**

SLOTTED PARTITIONS



In order to **arrange** and **protect** particularly delicate material or material that must not come into contact with other products when being **moved** and **stored**, Fami has designed and produced a **system for dividing** the stacking containers by means of **slotted partitions**. Made from **plastic** and available in **various sizes**, they feature **partitions slotted** in increments of 20 mm. They **divide the insides of stacking containers** in a rational and varied way **according to user requirements**.

height mm 45 h

height mm 70 h

height mm 90 h

height mm 120 h

height mm 180 h



ORD. NO.	DIM. mm	Increments mm
F HN 1320 00 01	255×45	20
F HN 1420 00 01	355×45	20

ORD. NO.	DIM. mm	Increments mm
F HN 1340 00 01	255×70	20
F HN 1440 00 01	355×70	20

ORD. NO.	DIM. mm	Increments mm
F HN 1350 00 01	255×90	20
F HN 1450 00 01	355×90	20

ORD. NO.	DIM. mm	Increments mm
F HN 1360 00 01	255×120	20
F HN 1460 00 01	355×120	20

ORD. NO.	DIM. mm	Increments mm
F HN 1370 00 01	255×180	20
F HN 1470 00 01	355×180	20

COVER OR LAYER SEPARATOR

Made out of **plastic**, the **intermediate plate** acts as a **separator** if the container is **divided** into layers. The **lateral grooves** on the cover **make it easy to grip and lift**.



ORD. NO.	DIM. mm
F HN 5130 00 01	355×255



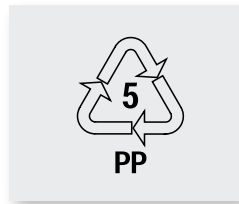
01 GREY



ACCESSORIES
ATHENA
600x400



LIDS



HINGED LID



LID WITH HANDLES



ORD. NO.	Hinged lid mm
F PA 0951 00 01	600×400
Weight gr.	700

ORD. NO.	Lid with handles mm
F PA 1C51 00 01	600×400
Weight gr.	720

01 GREY

CLOSING SYSTEMS

The **covers** for the **Athena** series of stacking containers can be **closed** with **nylon kick-in locks**.



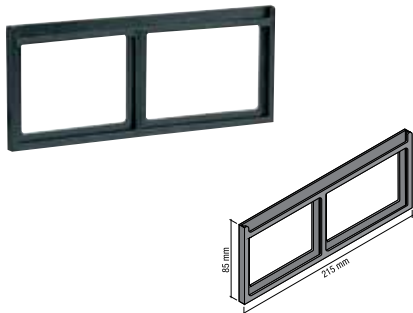
CLOSED AND SEALED

ORD. NO.	Pair of sliding hooks suitable for Athena series containers
F PZ 0681 00 13	

13 WHITE

LABEL HOLDER

On the **Athena** series containers, it is possible to **insert** labels attaching a **black polypropylene frame** in the available **grooves**. The **label holder** for the **Athena** series is available in **600×400** size with a **window**.



ORD. NO.	DIM. mm
F PZ 9751 00 07	215×85

LABEL SHEET

ORD. NO.	Label Dim. mm
F PZ 0940 00 00	210×81
Sheet with 3 labels	



EXCLUDING Athena Ord. No.

F PA 5651 A0 01 - F PA 6051 A0 01 - F PA 6151 A0 01
F PA 6051 C0 01 - F PA 6051 E0 01

SPECIAL LABELS

PAGE Q1

07 BLACK

A30

SUB-DIVIDING CONTAINERS



These **sub-dividing containers separate** the **Athena series 600x400 mm stacking containers** into two or more compartments but they can also be used **on their own to store material**. A handy **dust proof cover**, made from **transparent polystyrene**, is also available.



ORD. NO.	External DIM. mm
F PP 6051 00 01	357x278x90 h

ORD. NO.	External DIM. mm
F PP 6551 00 01	357x278x90 h



ORD. NO.	External DIM. mm
F PP 7051 00 01	357x278x90 h

ORD. NO.	External DIM. mm
F PP 9668 00 96	357x278 h

96 TRANSPARENT

ORD. NO. F PP 5551 00 01 - CONTAINER DIVIDER FOR THE ATHENA CONTAINER

SUBDIVIDING CASES



stacking container divided with
1 ORD. NO. F PP 6051 00 01
1 ORD. NO. F PP 6551 00 01



stacking container divided with
1 ORD. NO. F PP 6051 00 01
1 ORD. NO. F PP 7051 00 01



stacking container divided with
1 ORD. NO. F PP 6551 00 01
1 ORD. NO. F PP 7051 00 01



ORD. NO.	External DIM. mm
F PP 5551 00 01	277x177x99 h



01 GREY

METAL CLIPS

These metal clips can be **snapped** into the long or short sides of the **Athena stacking containers** and are used to **keep documents in place**.



ORD. NO.	DIM. mm
F PZ 0010 00 99	75x20x20

example of **metal clip use**

fitting the **metal clip**

SLOTTED PARTITIONS



In order to **arrange** and **protect** particularly delicate material or material that must not come into contact with other products when being **moved** and **stored**, Fami has designed and produced a **system for dividing** the stacking containers by means of **slotted partitions**. Made from **plastic** and available in **various sizes**, they feature **partitions slotted** in increments of 20 mm. They **divide the insides of stacking containers** in a rational and varied way **according to user requirements**.

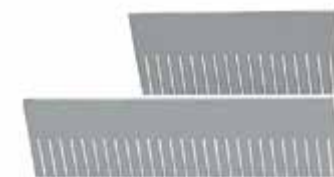
height mm 45 h

height mm 70 h

height mm 90 h

height mm 120 h

height mm 180 h



ORD. NO.	DIM. mm	Increments mm
F HN 1420 00 01	355×45	20
F HN 1620 00 01	555×45	20

ORD. NO.	DIM. mm	Increments mm
F HN 1440 00 01	355×70	20
F HN 1640 00 01	555×70	20

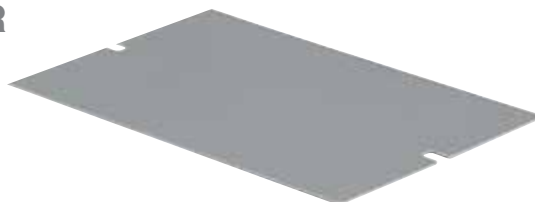
ORD. NO.	DIM. mm	Increments mm
F HN 1450 00 01	355×90	20
F HN 1650 00 01	555×90	20

ORD. NO.	DIM. mm	Increments mm
F HN 1460 00 01	355×120	20
F HN 1660 00 01	555×120	20

ORD. NO.	DIM. mm	Increments mm
F HN 1470 00 01	355×180	20
F HN 1670 00 01	555×180	20

COVER OR LAYER SEPARATOR

Made out of **plastic**, the **intermediate plate** acts as a **separator** if the container is **divided** into layers. The **lateral grooves** on the cover **make it easy to grip and lift**.



ORD. NO.	DIM. mm
F HN 5140 00 01	555×355



DIVIDERS WITH SUPPORTS



ORD. NO.	DIM. mm
F ND 0340 01 99	195 h

For Athena stacking containers Ord. no. **F PA 6851....**



ORD. NO.	DIM. mm
F ND 0330 01 99	145 h

For Athena stacking containers Ord. no. **F PA 6451 A0 01**

extra front-to-back divider

ORD. NO.	Extra front-to-back divider for Ord. no. F ND 0340 01 99
F ND 0340 00 99	

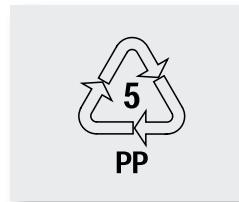
ORD. NO.	Extra front-to-back divider for Ord. no. F ND 0330 01 99
F ND 0330 00 99	



ACCESSORIES
ATHENA
800x600



LIDS



LID WITH HANDLES

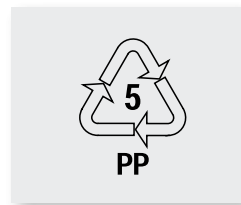
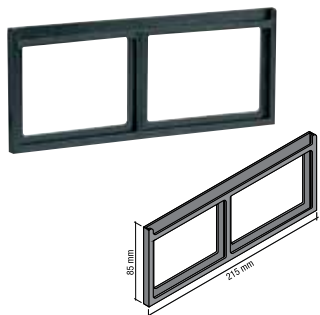


ORD. NO.	Lid with handles mm
F PA 1251 01 01	800x600
Weight gr.	1978

01 GREY

LABEL HOLDER

On the **Athena** series containers, it is possible to **insert** labels attaching a **black polypropylene frame** in the available **grooves**. The **label holder** for the **Athena** series is available in **400x300** format with a **window**.



EXCLUDING
Athena Ord. No.

F PA 8551 A0 01

ORD. NO.	DIM. mm
F PZ 9751 00 07	215x85



LABEL SHEET

ORD. NO.	Label Dim. mm
F PZ 0940 00 00	210x81
Sheet with 3 labels	

07 BLACK

METAL CLIPS

These metal clips can be **snapped** into the long or short sides of the **Athena** stacking containers and are used to **keep documents in place**.



ORD. NO.	DIM. mm
F PZ 0010 00 99	75x20x20

example of **metal clip** use

fitting the **metal clip**

99 HOT GALVANISED

CASTORS

standard rubber

swivel with brake

fixed

swivel without brake



SWIVEL CASTOR WITH BRAKE	Ø mm
C RG DAC11 100	100
C RG DAC12 125	125

FIXED CASTOR	Ø mm
C RG BAC11 100	100
C RG BAC12 125	125

SWIVEL CASTOR WITHOUT BRAKE	Ø mm
C RG CAC11 100	100
C RG CAC12 125	125

nylon

swivel with brake

fixed



SWIVEL CASTOR WITH BRAKE	Ø mm
C RN DAD10 100	100
C RN DAD11 125	125

FIXED CASTOR	Ø mm
C RN BAD10 100	100
C RN BAD11 125	125

synthetic mark-proof rubber

swivel with brake

fixed



SWIVEL CASTOR WITH BRAKE	Ø mm
C RG DPH22 125	125

FIXED CASTOR	Ø mm
C RG BPH22 125	125

Set of 16 screws to secure the castors to the container.
Ord. No. F PZ 8800 00 00



FEET



Set of 4 feet
Ord. No. F PZ 8751 01 01
Dim. 105x85x112 mm h
Supplied with screws



Central foot on request



The **lid** allow the containers with four feet and 1 pair of **connection pieces** to be **stacked on top**



The **lids** allow the containers with four feet to be **stacked on top**

One pair of cross-braces Ord. No. F PZ 8351 01 01 Dim. 800x132x29 mm h

